

DAKOTA

OUTDOOR

PRODUCTS FOR EXTERNAL





DAKOTA

PRODUCTS FOR FLOORING

Arkimede Nano - Support for paving and extension	○ 145
Arkimede - Support for paving and extensions	○ 145
Plastic Kit for Lateral Finishing - Arkimede	○ 146
Stainless Steel Clips for Lateral Finishing	○ 147
Universal clip for lateral laying	○ 148
Clever - Slope regulator	○ 149
Insulation Noise Reducer	○ 149
Arkimede Nano - Support for decking and extension	○ 151
Arkimede - Support for decking and extensions	○ 151
Arkimede 60-115 - Support for decking and extension	○ 152
Arkimede 115-220 - Support for decking and accessories	○ 152
Insulation Noise Reducer	○ 153
Adjustable support for ground post	○ 153
Adjustable joist support and accessories	○ 154
Rubber pad for joist	○ 154
Coated Steel Joist and adapter	○ 155
3D-Telescopic Supports - Self-leveling head 2/4 mm	○ 156
3D-Telescopic Supports - Fixed head 2/4 mm	○ 158
Fin for wood	○ 160
Head for Plastic Tiles	○ 160
Anti-noise rubber shim for paving and pad for tiles	○ 161
Locking ring	○ 161
Level Up Ceramic and Wood	○ 164
Outdoor spacer for tiles	○ 168
Fix tile support	○ 169
Tak Level Kit	○ 170
Quix System - Invisible fixing for decking	○ 171
Georeef	○ 172
Non-woven fabric	○ 173
Artificial turf and accessories	○ 174
Green Plus, 2.4 and 2.5	○ 175
Plastic tile, semi perforated tile and perforated tile	○ 176
Accessories for tiles	○ 177
Draining tile and Pipe Cube	○ 178

VENTILATION GRILLES

ABS universal, fixed round, square and rectangular	○ 179
ABS plastic fixed, recess, with adjustable shutter, adjustable shutter and inlet, plastic line prime	○ 180
ABS inspection grill with filter, with gravity damper, with shutter, Vortex fixed grill, fixed valve	○ 181
ABS fixed valve with spring and Copper-Coated universal	○ 182
Aluminum universal, fixed round, square and rectangular	○ 183
White prepainted aluminum universal, fixed round, square and rectangular	○ 184
Copper universal, fixed round, square and rectangular	○ 185

DOORS AND BOXES

Box for gas with Fiberglass Hatch and Hatch with frame	○ 186
Hatch for gas, water and electricity and retractable galvanized hatch	○ 187
Galvanized steel gas hatch and water hatch	○ 188
Galvanized steel inspection hatch and stainless steel gas hatch	○ 189
Stainless steel water hatch and electricity inspection box	○ 190
Box for Gas Meter - Galvanized Steel and Stainless Steel	○ 191
Back hatch for gas meter box - Galvanized Steel and Stainless Steel	○ 192

ACCESSORIES FOR CONCRETE

Chamfers for pillars, chamfers finned and balcony drip protection	○ 193
Tower shaped spacer and round spacer for formwork	○ 194
Tube and bridge shaped spacer for formwork	○ 195
Rigid tube for panels, caps and round and flat spacer tube	○ 196

ROOF DRAINING OUTLETS

Roof draining made of TPE	○ 197
Roof draining made of PVC and Leaf-grate	○ 198
Corner Draining water outlet	○ 199

TOP DRAINER

Open/closed marble plastic top drainer	○ 200
Open/closed marble ceramic top drainer	○ 201



ARKIMEDE LINE ADJUSTABLE SUPPORT

1 Anti-Noise Rubber Mat

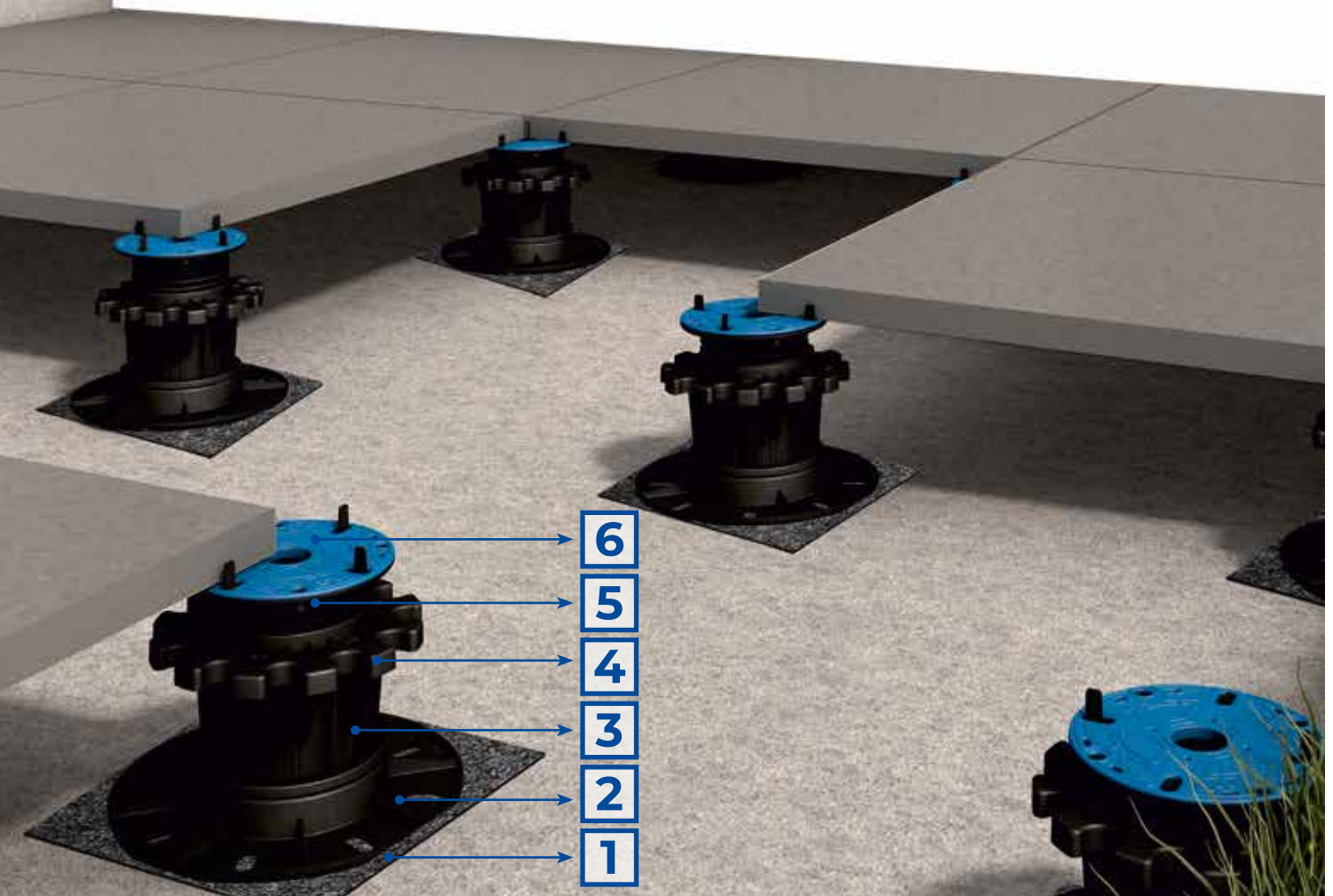
2 Base

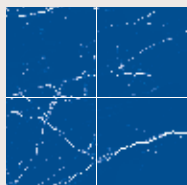
3 Extension

4 Rotating Nut

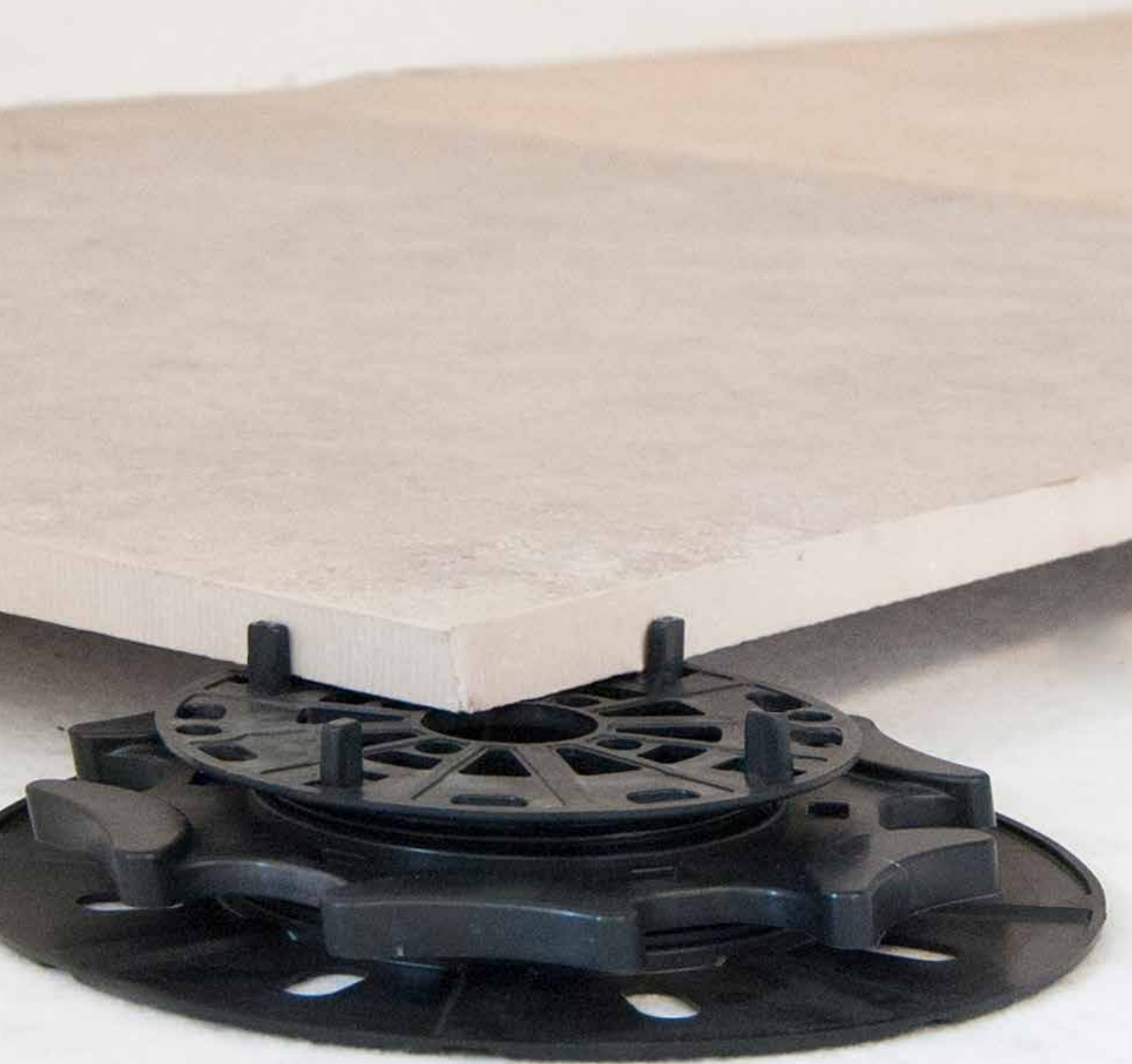
5 Head for Tile

6 Anti-Noise Rubber





ARKIMEDE
FOR PAVING



ARKIMEDE NANO - SUPPORT FOR PAVING h. 18 - 36 mm

Code	Product	height (mm)	Pkg.	Pallet	UM
TER09-1145/4A2M	ARKIMEDE Nano - Spacer tabs thickness 2 mm h. 10 mm	from 18 to 36	30 pcs.	1.350 pcs.	pc.
TER09-1145/4A4M	ARKIMEDE Nano - Spacer tabs thickness 4 mm h. 10 mm	from 18 to 36	30 pcs.	1.350 pcs.	pc.

Code	Product	height (mm)	Pkg.	Pallet	UM
TER09-1145/P9	ARKIMEDE - Extension 9 mm	9	30 pcs.	3.780 pcs.	pc.



DESCRIPTION

ARKIMEDE support with adjustable height starting from 18 mm.

Base laying surface: 314 cm².

Head diameter: 120 mm with a laying surface of 113 cm².

Available versions:

- Box composed by the base, rotating nut and head with 4 spacer tabs of 2 mm thickness and **9 mm extension**.

- Box composed by the base, rotating nut and head with 4 spacer tabs of 4 mm thickness and **9 mm extension**.

The base allows the correct water drainage.

MATERIAL

Made of PP (polypropylene).

USE

Used in external areas, terraces, pavements.



ARKIMEDE - SUPPORT FOR PAVING h. 35 - 500 mm

Code	Product	height (mm)	Pkg.	Pallet	UM
TER09-1143/4A2M	ARKIMEDE - Spacer tabs thickness 2 mm h. 10 mm	from 35 to 60	30 pcs.	1.350 pcs.	pc.
TER09-1143/4A4M	ARKIMEDE - Spacer tabs thickness 4 mm h. 10 mm	from 35 to 60	30 pcs.	1.350 pcs.	pc.

Code	Ref.	Product	height (mm)	Pkg.	Pallet	UM
TER09-1143/P25	01	ARKIMEDE - Extension 25 mm	25	30 pcs.	2.160 pcs.	pc.
TER09-1143/P50	02	ARKIMEDE - Extension 50 mm	50	30 pcs.	1.620 pcs.	pc.
TER09-1143/P100	03	ARKIMEDE - Extension 100 mm	100	30 pcs.	1.200 pcs.	pc.



DESCRIPTION

ARKIMEDE support with adjustable height starting from 35 mm.

Base laying surface: 314 cm².

Head diameter: 120 mm with a laying surface of 113 cm².

Available versions:

- Box composed by the base, rotating nut and head with 4 spacer tabs of 2 mm thickness.

- Box composed by the base, rotating nut and head with 4 spacer tabs of 4 mm thickness.

The base allows the correct water drainage.

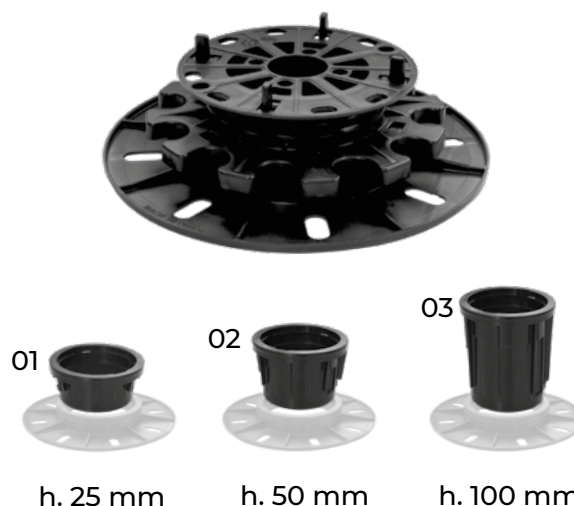
Extension for adjustable support ARKIMEDE with 25, 50, 100 mm height available.

MATERIAL

Made of PP (polypropylene).

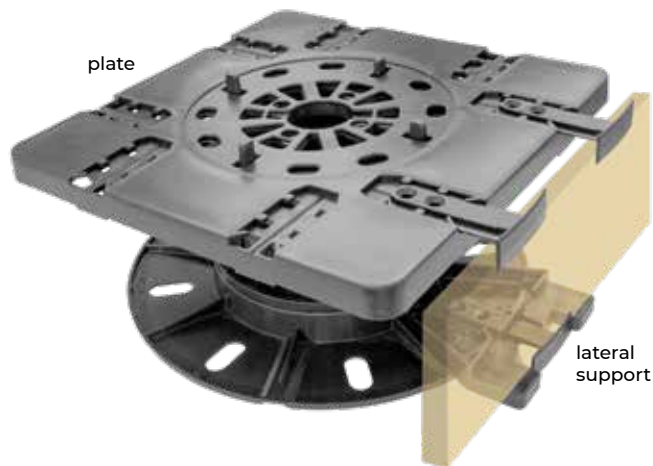
USE

Used in external areas, terraces, pavements.



PLASTIC KIT FOR LATERAL FINISHING - ARKIMEDE

Code	Product	mm	Pkg.	Pallet	UM
TER09-1152/3B	Kit of 10 plates, 10 lateral supports and 30 tile fixing clips for lateral finishing	204 x 204	1 set	144 set	set



DESCRIPTION
 Plate and Lateral Clip are made of PP, they are used for the lateral finishing of the perimeter space in the absence of a lateral wall. Specifically designed for application with the Arkimede supports only.

MATERIAL
 Made of PP (Polypropylene).

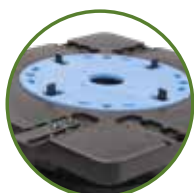
USE
 Used for the perimeter finishing in the absence of a lateral wall, in the installation of raised floors with Arkimede supports.
 The adjustable clips allow the fixing of tiles of different thickness, from 8 to 38 mm, in a very easy and simple way.
 Plate and Lateral Clip fit with Head for Tile (2 or 4 mm) and work with Arkimede 35-60 only (TER09-1143/4A2M and TER09-1143/4A4M).



WORKS WITH HEAD FOR TILES OF THE ARKIMEDE SUPPORT ONLY



ADJUSTABLE CLIPS FROM 8 TO 38 MM



ACCESSORY RUBBER SHIM (TER09-1143/G)



STAINLESS STEEL CLIPS FOR LATERAL FINISHING

Code	Product	mm	Pkg.	Pallet	UM
TER09-1146/C	Base clip for vertical finishing - 10 mm	10	80 pcs.	-	pc.
TER09-1146/E	Head clip for vertical finishing - 10 mm	10	80 pcs.	-	pc.
TER09-1146/D	Base clip for vertical finishing - 20 mm	20	80 pcs.	-	pc.
TER09-1146/F	Head clip for vertical finishing - 20 mm	20	80 pcs.	-	pc.



DESCRIPTION

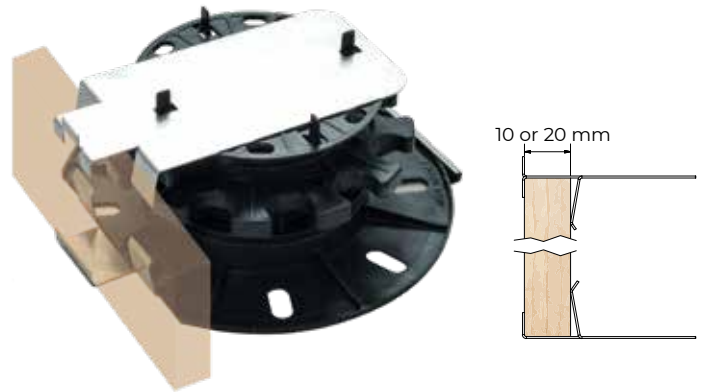
Set of clips that allows, in the installation of floating floors, the finishing of the perimeter space in the absence of a lateral wall. Specifically designed to be used with the Arkimede supports only.

MATERIAL

Made of stainless steel.

USE

Used for the perimeter finishing in the absence of a lateral wall, in the installation of raised floors with **Arkimede 35-60 only (TER09-1143/4A2M and TER09-1143/4A4M).**



UNIVERSAL CLIP FOR LATERAL LAYING

Code	Product	mm	Pkg.	Pallet	UM
TER09-1146/A	Universal clip for lateral laying	-	139 pcs.	-	pc.



DESCRIPTION

Universal clip for the perimeter laying of tiles for floating floors. The clip avoids the contact between the tiles and the wall, thanks to its special shape that absorbs all possible movements and dilatations. Specifically designed to be used with all Dakota Floating Supports: Arkimede, Arkimede Nano and 3d-Scopic.

MATERIAL

Made of stainless steel.

USE

Used for laying of perimeter tiles with Dakota raised floor supports.



CLEVER - SLOPE REGULATOR

Code	Product	mm	Bag.	Pkg.	Pallet	UM
TER09-1143/C1	Clever - Slope 1 %	ø 120	30 pcs.	360 pcs.	32.400 pcs.	pc.
TER09-1143/C3	Clever - Slope 3 %	ø 120	30 pcs.	360 pcs.	32.400 pcs.	pc.
TER09-1143/C5	Clever - Slope 5 %	ø 120	30 pcs.	180 pcs.	16.200 pcs.	pc.



DESCRIPTION

Leveling rubber disc for sloping compensation.
Diameter 120 mm, available in 3 different model of 1%, 3% and 5% slopes.

MATERIAL

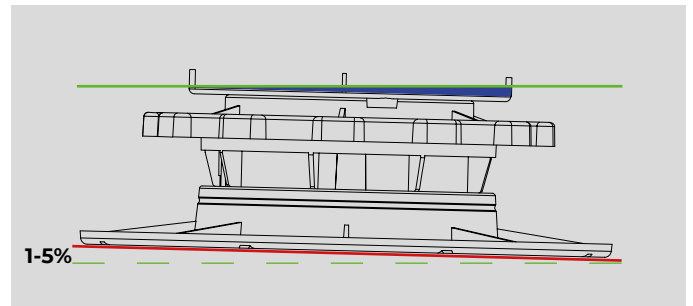
Made of thermoplastic rubber.

USE

Clever allows the compensation of slopes from 1% up to 5%.

Just put it on the head of the support (with the arrow along the direction of the slope) and twist it for a final regulation.

Clever guarantees to have a perfectly flat surface and to reduce walkover noise.



INSULATION NOISE REDUCER

Code	Product	mm	Pkg.	Pallet	UM
TER09-1144	Insulation Noise Reducer	200 x 200 - thick. 3	80 pcs.	6.720 pcs.	pc.



DESCRIPTION

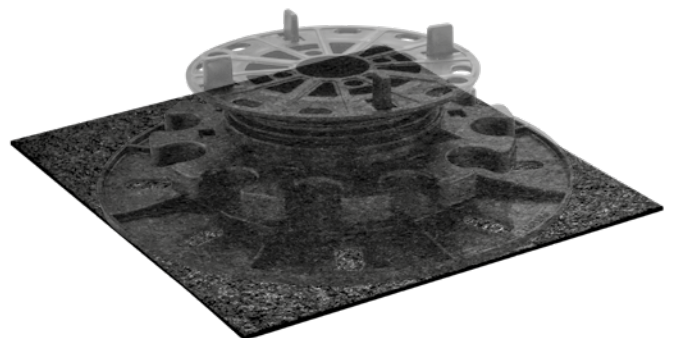
Sound absorbing rubber mat for Arkimede range telescopic support.
Thickness 3 mm.

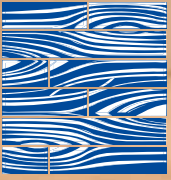
MATERIAL

Made of rubber (TPV).

USE

Used to be positioned at the base of the ARKIMEDE range telescopic support to reduce footfall noise up to 12 dB.





**ARKIMEDE
FOR DECKING**



ARKIMEDE NANO - SUPPORT FOR DECKING h. 18 - 36 mm

Code	Product	height (mm)	Pkg.	Pallet	UM
TER09-1145/1A	ARKIMEDE Nano - Head for joists	from 18 to 36	30 pcs.	1.200 pcs.	pc.
Code	Product	height (mm)	Pkg.	Pallet	UM
TER09-1145/P9	ARKIMEDE - Extension 9 mm	9	30 pcs.	3.780 pcs.	pc.



DESCRIPTION

ARKIMEDE support with adjustable height starting from 18 mm.

Base laying surface: 314 cm².

Head diameter: 120 mm with a laying surface of 113 cm².

Available versions:

- Box composed by the base, rotating nut and head with 1 tab for joists and **9 mm extension**.

The base allows the correct water drainage.

MATERIAL

Made of PP (polypropylene).

USE

Used in external areas, terraces, pavements.



ARKIMEDE - SUPPORT FOR DECKING h. 35 - 500 mm

Code	Product	height (mm)	Pkg.	Pallet	UM	
TER09-1143/1A	ARKIMEDE - Head for joists	from 35 to 60	30 pcs.	1.200 pcs.	pc.	
Code	Ref.	Product	height (mm)	Pkg.	Pallet	UM
TER09-1143/P25	01	ARKIMEDE - Extension 25 mm	25	30 pcs.	2.160 pcs.	pc.
TER09-1143/P50	02	ARKIMEDE - Extension 50 mm	50	30 pcs.	1.620 pcs.	pc.
TER09-1143/P100	03	ARKIMEDE - Extension 100 mm	100	30 pcs.	1.200 pcs.	pc.



DESCRIPTION

ARKIMEDE support with adjustable height starting from 35 mm.

Base laying surface: 314 cm².

Head diameter: 120 mm with a laying surface of 113 cm².

Available versions:

- Box composed by the base, rotating nut and head with 1 tab for joists.

The base allows the correct water drainage.

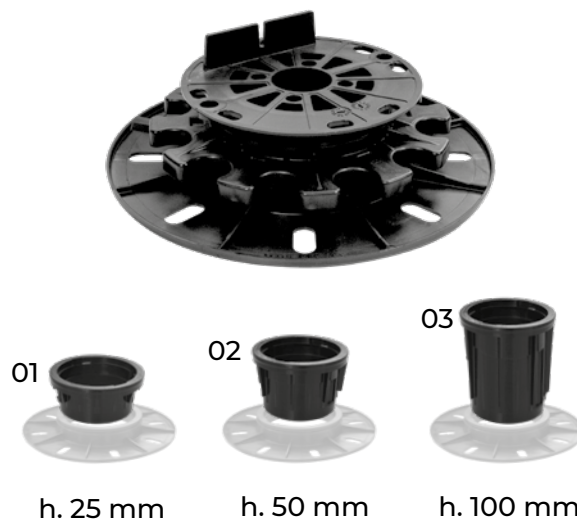
Extension for adjustable support ARKIMEDE with 25, 50, 100 mm height available.

MATERIAL

Made of PP (polypropylene).

USE

Used in external areas, terraces, pavements.



ARKIMEDE 60-115 - SUPPORT FOR DECKING h. 60 - 500 mm

Code	Ref.	Product	height (mm)	Pkg.	Pallet	UM
TER09-1163/1A	01	ARKIMEDE 60-115 - Head for joists	from 60 to 115	30 pcs.	450 pcs.	pc.

Code	Ref.	Product	height (mm)	Pkg.	Pallet	UM
TER09-1163/P40	02	ARKIMEDE 60-115 - Extension 40 mm	40	60 pcs.	600 pcs.	pc.



DESCRIPTION

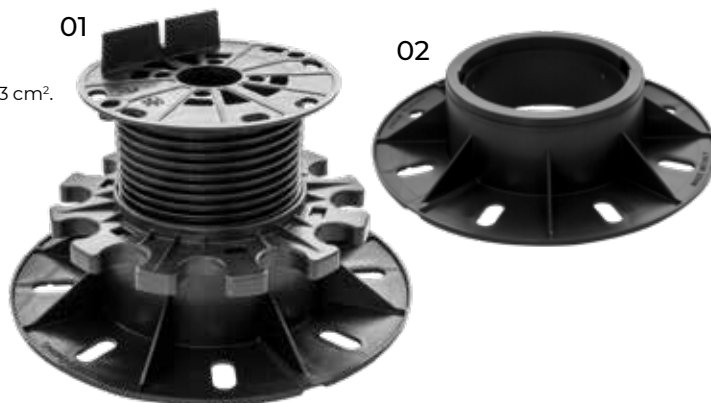
ARKIMEDE 60-115 support with adjustable height starting from 60 mm.
 Base laying surface: 314 cm². Head diameter: 120 mm with a laying surface of 113 cm².
 - Box composed by the base, rotating ring and head with 1 tab for joists.
 The base allows the correct water drainage.
 - Extension h. 40 is available as an optional.

MATERIAL

Made of PP (polypropylene).

USE

Used in external areas, terraces, pavements.



ARKIMEDE 115-220 - SUPPORT FOR DECKING h. 115 - 500 mm

Code	Ref.	Product	height (mm)	Pkg.	Pallet	UM
TER09-1173/1A	01	ARKIMEDE 115-220 - Head for joists	from 115 to 220	-	-	pc.

Code	Ref.	Product	height (mm)	Pkg.	Pallet	UM
TER09-1173/P94	02	ARKIMEDE 115-220 - Extension 94 mm	94	-	-	pc.



DESCRIPTION

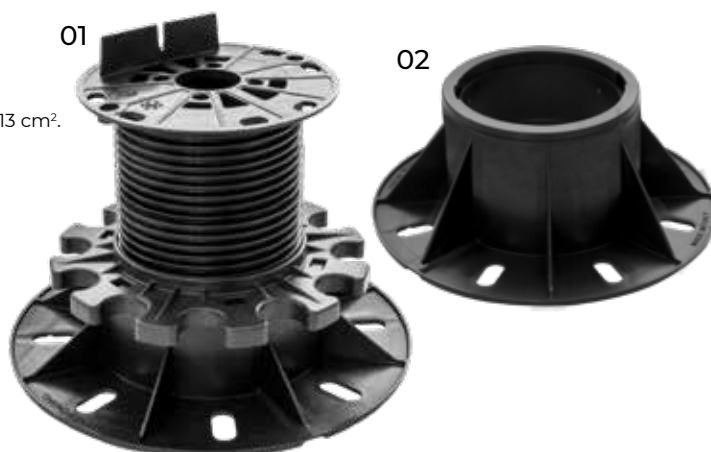
ArkimeDE 115-220 support with adjustable height starting from 115 mm.
 Base laying surface: 314 cm². Head diameter: 120 mm with a laying surface of 113 cm².
 - Box composed by the base, rotating ring and head with 1 tab for joists.
 The base allows the correct water drainage.
 - Extension 94 mm is available as an optional.

MATERIAL

Made of PP (polypropylene).

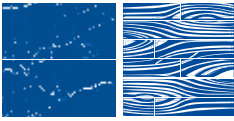
USE

Used in external areas, terraces, pavements.



INSULATION NOISE REDUCER

Code	Product	mm	Pkg.	Pallet	UM
TER09-1144	Insulation Noise Reducer	200 x 200 - thick. 3	80 pcs.	6.720 pcs.	pc.



DESCRIPTION

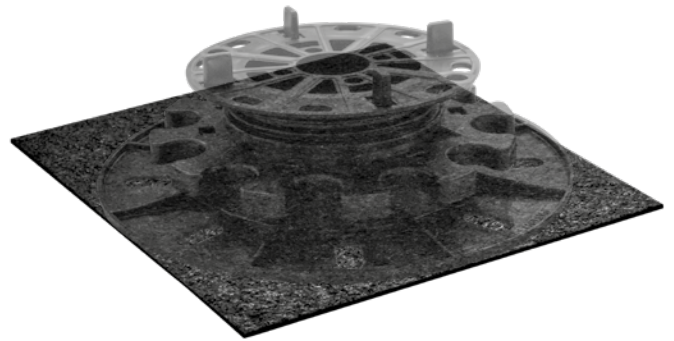
Sound absorbing rubber mat for Arkimede range telescopic support. Thickness 3 mm.

MATERIAL

Made of rubber (TPV).

USE

Used to be positioned at the base of the ARKIMEDE range telescopic support to reduce footfall noise up to 12 dB.



ADJUSTABLE SUPPORT FOR GROUND POST

Code	Product	mm	Pkg.	Pallet	UM
TER09-1154	Adjustable support for ground post	from 25 to 115	30 pcs.	450 pcs.	pc.



DESCRIPTION

Adjustable support for ground post for the installation of a raised floor on a non-stabilized ground.

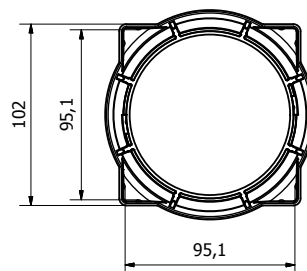
The kit is composed of an adapter for post, rotating ring and an h. 115 height screw with head for joist.

MATERIAL

Made of PP (polypropylene).

USE

Support for ground post for the installation of a raised floor on a non-stabilized ground.



ADJUSTABLE JOIST SUPPORT

Code	Ref.	Product	height (mm)	Pkg.	Pallet	UM
TER09-1164	01	Adjustable joist support with rubber pad	from 14 to 50	30 pcs.	2.700 pcs.	pc.
TER09-1164/P20	02	Extension 20 mm	20	-	-	pc.



DESCRIPTION

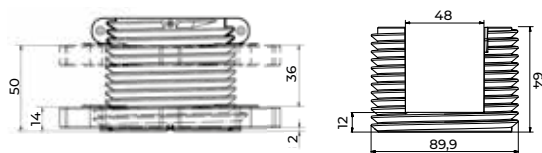
Support for a perfect solution where decking requires a minimal elevation height. Simple to install and adjust. With wooden joists, it helps to prevent rot. It is an ideal solution for terraces, decks, balconies and open decking areas. The slot dimensions for the joists are 48 x h. 52 mm.

MATERIAL

Made of PP.

USE

Used to be positioned on the ground as a base for the laying of the joists during the installation of the understructure for the decking.



RUBBER PAD FOR JOIST

Code	Product	mm	Pkg.	Pallet	UM
TER09-1148TA	Rubber pad for joist	90 x 90 - thick. 8 mm	144 pcs.	10.368 pcs.	pc.



DESCRIPTION

Rubber pad for laying of the joists. Thickness 8 mm.

MATERIAL

Made of thermo plastic rubber.

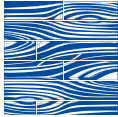
USE

Used to be positioned on the ground as a base for the laying of the joists during the installation of the understructure for the decking.



COATED STEEL JOIST AND ADAPTER

Code	Ref	Product	mm	Pkg.	Pallet	UM
TER09-1149ZM4	01	Coated Steel Joist	4.000	-	100 pcs.	pc.
TER09-1151	02	Adapter for Steel Joist	-	30 pcs.	3.780 pcs.	pc.
MIN01-5200P		Fixala - Black phosphate screw spike and adapter for screwer	ø 3,5 x 25	1.000 pcs.	384.000 pcs.	box.



**PATENT
PENDING**

DESCRIPTION

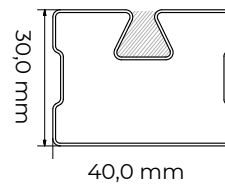
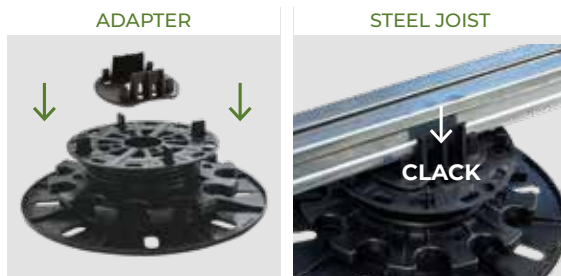
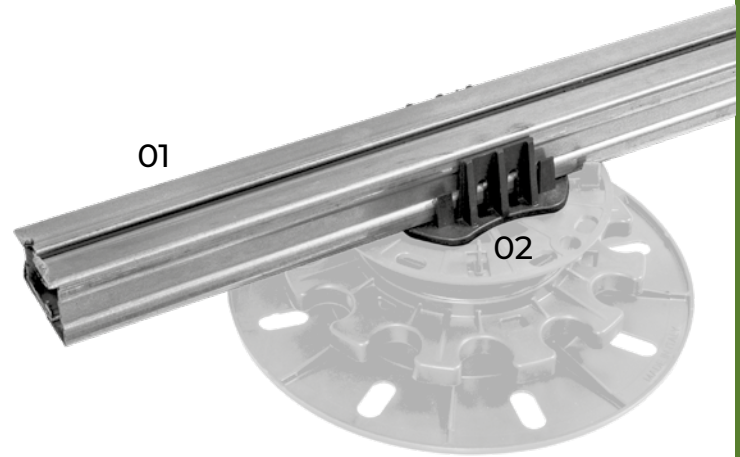
Coated Steel Joist (4 m length) and plastic adapter for Arkimede Line supports. This Kit allows the making of a supporting structure for the laying of outdoor decking.

MATERIAL

The adapter is made of PP (polypropylene) and the joist is made of Galvanized Steel with a aluminum, zinc and magnesium coating.

USE

This product allows the making of a supporting structure for the laying of outdoor decking. It is suggested to place the Arkimede supports every 50 cm.



3D-TELESCOPIC SUPPORTS | SELF-LEVELING HEAD

Code	Product	mm	Pkg.	Pallet	UM
TER09-1123055N1	Self-leveling 3D Scopic tile provided with 4 wings for 2 mm joint	from 35 to 55	40 pcs.	20 boxes	box
TER09-1123070N1	Self-leveling 3D Scopic tile provided with 4 wings for 2 mm joint	from 55 to 70	40 pcs.	20 boxes	box
TER09-1123110N1	Self-leveling 3D Scopic tile provided with 4 wings for 2 mm joint	from 70 to 110	40 pcs.	15 boxes	box
TER09-1123150N1	Self-leveling 3D Scopic tile provided with 4 wings for 2 mm joint	from 110 to 150	40 pcs.	15 boxes	box
TER09-1123170N1	Self-leveling 3D Scopic tile provided with 4 wings for 2 mm joint	from 150 to 170	40 pcs.	15 boxes	box
TER09-1123200N1	Self-leveling 3D Scopic tile provided with 4 wings for 2 mm joint	from 170 to 200	40 pcs.	15 boxes	box
TER09-1123240N1	Self-leveling 3D Scopic tile provided with 4 wings for 2 mm joint	from 205 to 240	35 pcs.	15 boxes	box
TER09-1123275N1	Self-leveling 3D Scopic tile provided with 4 wings for 2 mm joint	from 240 to 275	30 pcs.	15 boxes	box
TER09-1123310N1	Self-leveling 3D Scopic tile provided with 4 wings for 2 mm joint	from 275 to 310	20 pcs.	15 boxes	box
TER09-1123340N1	Self-leveling 3D Scopic tile provided with 4 wings for 2 mm joint	from 310 to 340	20 pcs.	15 boxes	box
TER09-1123370N1	Self-leveling 3D Scopic tile provided with 4 wings for 2 mm joint	from 340 to 370	20 pcs.	15 boxes	box
TER09-1123400N1	Self-leveling 3D Scopic tile provided with 4 wings for 2 mm joint	from 370 to 400	20 pcs.	15 boxes	box
TER09-1123430N1	Self-leveling 3D Scopic tile provided with 4 wings for 2 mm joint	from 400 to 430	20 pcs.	15 boxes	box
TER09-1123465N1	Self-leveling 3D Scopic tile provided with 4 wings for 2 mm joint	from 430 to 465	20 pcs.	15 boxes	box
TER09-1123500N1	Self-leveling 3D Scopic tile provided with 4 wings for 2 mm joint	from 465 to 500	15 pcs.	15 boxes	box
TER09-1123CHI	Adjustment key for 3D Scopic tile support	-	1 pc.	-	pc.



DESCRIPTION

3D-scopic tiles support with adjustable height from min. 35 to max. 500 mm according to the model. Each box includes a self-leveling head equipped with 4 wings of 10 mm, to be used for slats of 2 or 4 mm. Terminal leveling variable inclination from 0 to 5%. Adjustment of the support of 1,5 mm for each rotation of 90° (equal to 5 shots).

MATERIAL

Made of PP (polypropylene).

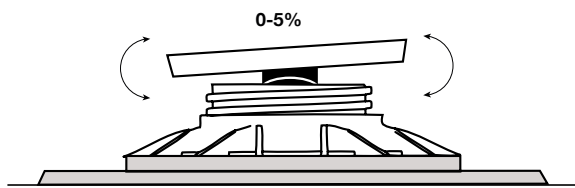
USE

Used in external areas, terraces, pavements.

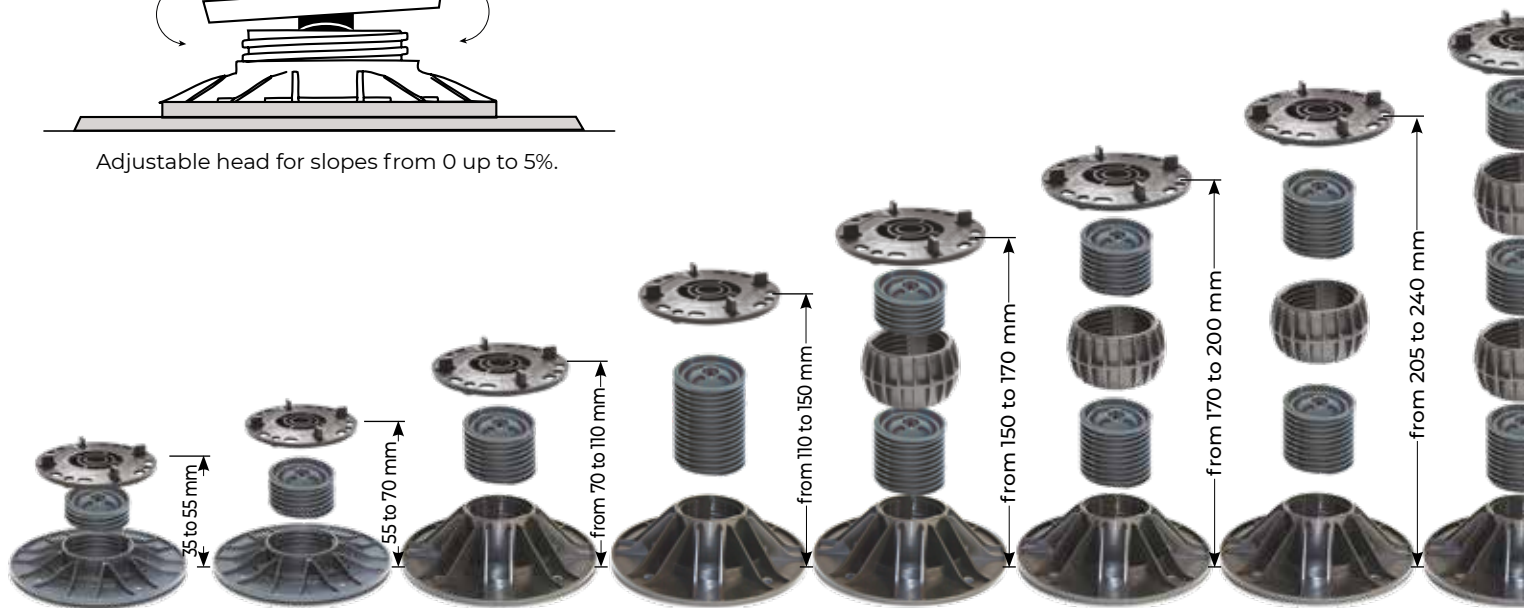


TER09-1123CHI

SELF-LEVELING HEAD



Adjustable head for slopes from 0 up to 5%.



3D-TELESCOPIC SUPPORTS | SELF-LEVELING HEAD

Code	Product	mm	Pkg.	Pallet	UM
TER09-1123055N2	Self-leveling 3D Scopic tile provided with 4 wings for 4 mm joint	from 35 to 55	40 pcs.	20 boxes	box
TER09-1123070N2	Self-leveling 3D Scopic tile provided with 4 wings for 4 mm joint	from 35 to 55	40 pcs.	20 boxes	box
TER09-1123110N2	Self-leveling 3D Scopic tile provided with 4 wings for 4 mm joint	from 35 to 55	40 pcs.	15 boxes	box
TER09-1123150N2	Self-leveling 3D Scopic tile provided with 4 wings for 4 mm joint	from 110 to 150	40 pcs.	15 boxes	box
TER09-1123170N2	Self-leveling 3D Scopic tile provided with 4 wings for 4 mm joint	from 150 to 170	40 pcs.	15 boxes	box
TER09-1123200N2	Self-leveling 3D Scopic tile provided with 4 wings for 4 mm joint	from 170 to 200	40 pcs.	15 boxes	box
TER09-1123240N2	Self-leveling 3D Scopic tile provided with 4 wings for 4 mm joint	from 205 to 240*	35 pcs.	15 boxes	box
TER09-1123275N2	Self-leveling 3D Scopic tile provided with 4 wings for 4 mm joint	from 240 to 275*	30 pcs.	15 boxes	box
TER09-1123310N2	Self-leveling 3D Scopic tile provided with 4 wings for 4 mm joint	from 275 to 310*	20 pcs.	15 boxes	box
TER09-1123340N2	Self-leveling 3D Scopic tile provided with 4 wings for 4 mm joint	from 310 to 340*	20 pcs.	15 boxes	box
TER09-1123370N2	Self-leveling 3D Scopic tile provided with 4 wings for 4 mm joint	from 340 to 370*	20 pcs.	15 boxes	box
TER09-1123400N2	Self-leveling 3D Scopic tile provided with 4 wings for 4 mm joint	from 370 to 400*	20 pcs.	15 boxes	box
TER09-1123430N2	Self-leveling 3D Scopic tile provided with 4 wings for 4 mm joint	from 400 to 430*	20 pcs.	15 boxes	box
TER09-1123465N2	Self-leveling 3D Scopic tile provided with 4 wings for 4 mm joint	from 430 to 465*	20 pcs.	15 boxes	box
TER09-1123500N2	Self-leveling 3D Scopic tile provided with 4 wings for 4 mm joint	from 465 to 500*	15 pcs.	15 boxes	box
TER09-1123CHI	Adjustment key for 3D Scopic tile support	-	1 pc.	-	pc.

*upon request only



3D-TELESCOPIC SUPPORTS | FIXED HEAD

Code	Product	mm	Pkg.	Pallet	UM
TER09-1123055P1	Fixed 3D Scopic tile support provided with 4 wings for 2 mm joint	from 35 to 55	40 pcs.	20 boxes	box
TER09-1123070P1	Fixed 3D Scopic tile support provided with 4 wings for 2 mm joint	from 55 to 70	40 pcs.	20 boxes	box
TER09-1123110P1	Fixed 3D Scopic tile support provided with 4 wings for 2 mm joint	from 70 to 110	40 pcs.	15 boxes	box
TER09-1123150P1	Fixed 3D Scopic tile support provided with 4 wings for 2 mm joint	from 110 to 150	40 pcs.	15 boxes	box
TER09-1123170P1	Fixed 3D Scopic tile support provided with 4 wings for 2 mm joint	from 150 to 170	40 pcs.	15 boxes	box
TER09-1123200P1	Fixed 3D Scopic tile support provided with 4 wings for 2 mm joint	from 170 to 200	40 pcs.	15 boxes	box
TER09-1123240P1	Fixed 3D Scopic tile support provided with 4 wings for 2 mm joint	from 205 to 240	35 pcs.	15 boxes	box
TER09-1123275P1	Fixed 3D Scopic tile support provided with 4 wings for 2 mm joint	from 240 to 275	30 pcs.	15 boxes	box
TER09-1123310P1	Fixed 3D Scopic tile support provided with 4 wings for 2 mm joint	from 275 to 310	20 pcs.	15 boxes	box
TER09-1123340P1	Fixed 3D Scopic tile support provided with 4 wings for 2 mm joint	from 310 to 340	20 pcs.	15 boxes	box
TER09-1123370P1	Fixed 3D Scopic tile support provided with 4 wings for 2 mm joint	from 340 to 370	20 pcs.	15 boxes	box </td
TER09-1123400P1	Fixed 3D Scopic tile support provided with 4 wings for 2 mm joint	from 370 to 400	20 pcs.	15 boxes	box
TER09-1123430P1	Fixed 3D Scopic tile support provided with 4 wings for 2 mm joint	from 400 to 430	20 pcs.	15 boxes	box
TER09-1123465P1	Fixed 3D Scopic tile support provided with 4 wings for 2 mm joint	from 430 to 465	20 pcs.	15 boxes	box
TER09-1123500P1	Fixed 3D Scopic tile support provided with 4 wings for 2 mm joint	from 465 to 500	15 pcs.	15 boxes	box
TER09-1123CHI	Adjustment key for 3D Scopic tile support	-	1 pc.	-	pc.



DESCRIPTION

3D-scopic tiles support with adjustable height from min. 35 to max. 500 mm according to the model.

Each box includes a fixed head equipped with 4 wings of 10 mm, to be used for slats of 2 or 4 mm.

Adjustment of the support of 1,5 mm for each rotation of 90° (equal to 5 shots).

MATERIAL

Made of PP (polypropylene).

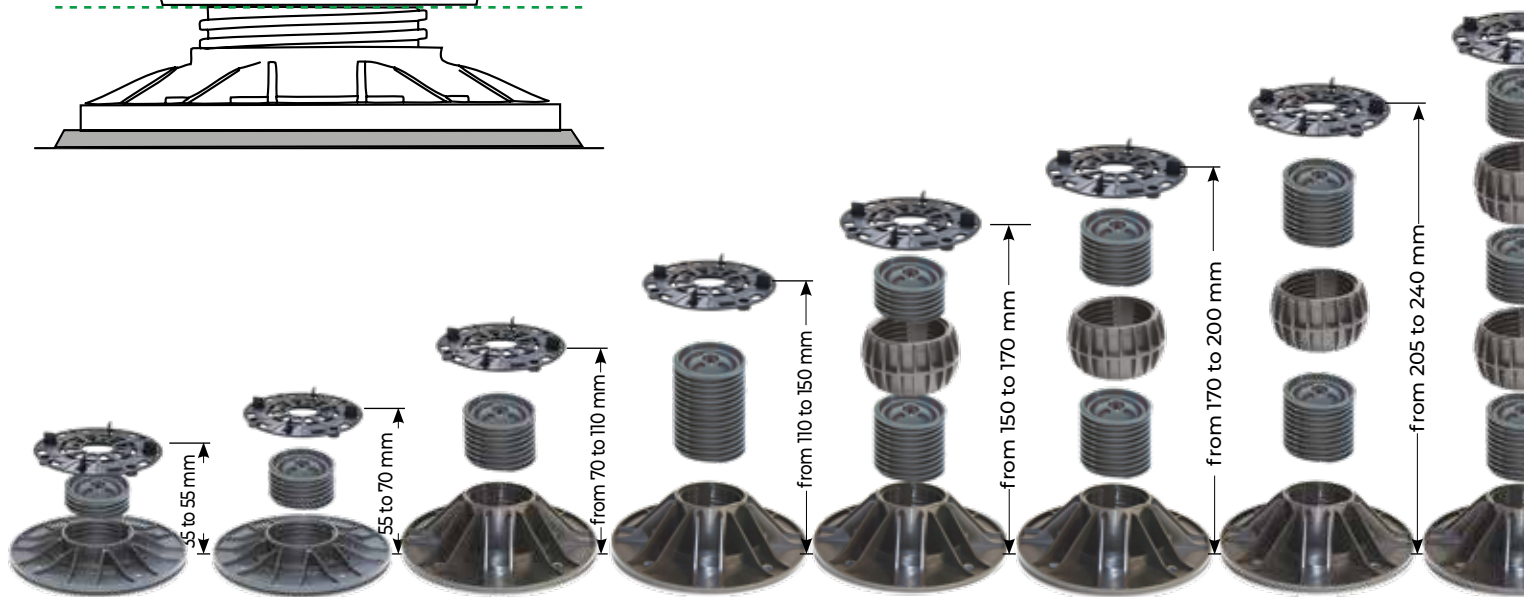
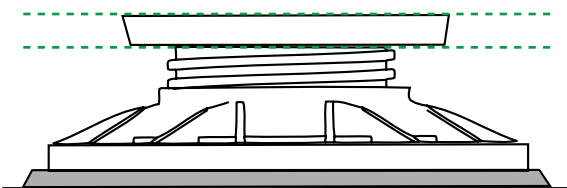
USE

Used in external areas, terraces, pavements.



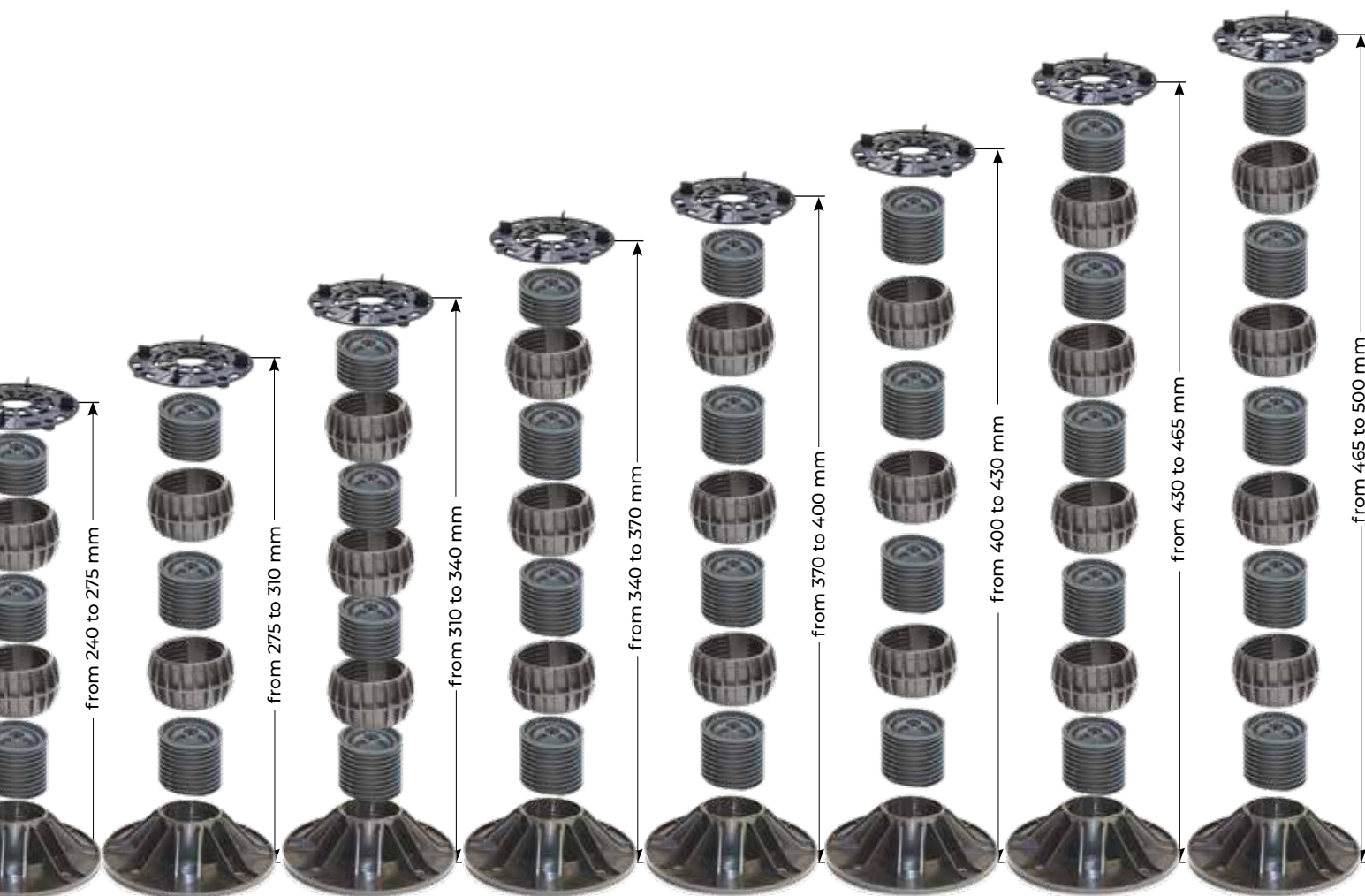
TER09-1123CHI

FIXED HEAD



3D-TELESCOPIC SUPPORTS | FIXED HEAD

Code	Product	mm	Pkg.	Pallet	UM
TER09-1123055P2	Fixed 3D Scopic tile support provided with 4 wings for 4 mm joint	from 35 to 55	40 pcs.	20 boxes	box
TER09-1123070P2	Fixed 3D Scopic tile support provided with 4 wings for 4 mm joint	from 55 to 70	40 pcs.	20 boxes	box
TER09-1123110P2	Fixed 3D Scopic tile support provided with 4 wings for 4 mm joint	from 70 to 110	40 pcs.	15 boxes	box
TER09-1123150P2	Fixed 3D Scopic tile support provided with 4 wings for 4 mm joint	from 110 to 150	40 pcs.	15 boxes	box
TER09-1123170P2	Fixed 3D Scopic tile support provided with 4 wings for 4 mm joint	from 150 to 170	40 pcs.	15 boxes	box
TER09-1123200P2	Fixed 3D Scopic tile support provided with 4 wings for 4 mm joint	from 170 to 200	40 pcs.	15 boxes	box
TER09-1123240P2	Fixed 3D Scopic tile support provided with 4 wings for 4 mm joint	from 205 to 240	35 pcs.	15 boxes	box
TER09-1123275P2	Fixed 3D Scopic tile support provided with 4 wings for 4 mm joint	from 240 to 275	30 pcs.	15 boxes	box
TER09-1123310P2	Fixed 3D Scopic tile support provided with 4 wings for 4 mm joint	from 275 to 310	20 pcs.	15 boxes	box
TER09-1123340P2	Fixed 3D Scopic tile support provided with 4 wings for 4 mm joint	from 310 to 340	20 pcs.	15 boxes	box
TER09-1123370P2	Fixed 3D Scopic tile support provided with 4 wings for 4 mm joint	from 340 to 370	20 pcs.	15 boxes	box
TER09-1123400P2	Fixed 3D Scopic tile support provided with 4 wings for 4 mm joint	from 370 to 400	20 pcs.	15 boxes	box
TER09-1123430P2	Fixed 3D Scopic tile support provided with 4 wings for 4 mm joint	from 400 to 430	20 pcs.	15 boxes	box
TER09-1123465P2	Fixed 3D Scopic tile support provided with 4 wings for 4 mm joint	from 430 to 465	20 pcs.	15 boxes	box
TER09-1123500P2	Fixed 3D Scopic tile support provided with 4 wings for 4 mm joint	from 465 to 500	15 pcs.	15 boxes	box
TER09-1123CHI	Adjustment key for 3D Scopic tile support	-	1 pc.	-	pc.



FIN FOR WOOD

Code	Product	mm	Pkg.	Pallet	UM
TER09-1123M	Fin for wood	60 mm	80 pcs.	80.000 pcs.	pc.



DESCRIPTION

Fin for wood is an adjustable in width wing for the placement of wooden joists or similar.

60 mm long, snap-fit on terminal for the 3D support and for the new Arkimede products.

It allows to position elements from 40 mm to 80 mm width.

MATERIAL

Made of PP (Polypropylene).

USE

For installation of wooden slats or similar.



HEAD FOR PLASTIC TILES

Code	Product	mm	Pkg.	Pallet	UM
TER09-1123T	Head for Plastic Tiles	-	150 pcs.	-	pc.

DESCRIPTION

Head to DK's Tile is the head of connection between the 3D-Scopic support and Dakota's tile.

MATERIAL

Made of PP (Polypropylene).

USE

It allows the installation of floating floors in outside areas, terraces, pavements combined with DK's tile.



ANTI-NOISE RUBBER SHIM

Code	Product	mm	Pkg.	Pallet	UM
TER09-1143/G	Anti-noise rubber shim for paving	ø 120 mm - thick. 2 mm	180 pcs.	16.200 pcs.	pc.



DESCRIPTION

Anti-noise rubber
Diameter 120 mm, thickness 2 mm.

MATERIAL

Made of thermoplastic rubber.

USE

This product has to be placed on both the 3D-Scoping and arkimede Support heads for paving only. It reduces walkover noise.

ANTI-NOISE RUBBER PAD FOR TILES

Code	Product	mm	Pkg.	Pallet	UM
TER09-1131	Anti-noise rubber pad for tiles	ø 130 mm - thick. 2 mm	100 pcs.	144 boxes	pc.



DESCRIPTION

Anti-noise rubber pad for tiles.
Diameter 130 mm, thickness 2 mm.

MATERIAL

Made of thermoplastic rubber.

USE

It reduces walkover noise and, thanks to the 4 removeable tabs for the grout lines, allows an easy laying of the tiles.

LOCKING RING

Code	Product	mm	Pkg.	Pallet	UM
TER09-1123FLA	Locking ring for 3D-Scopic support	ø 75 mm - h 8 mm	250 pcs.	7.500 pcs.	pc.

DESCRIPTION

The locking Ring is an hand block for 3D-Scopic support.
Height 8 mm; diameter 75 mm.
It blocks the screw and prevent instabilities after the installation.

MATERIAL

Made of PP (Polypropylene).

USE

For permanent locking of the 3D-scopic support.







LEVEL^{UP}



QUICK INSTALL



STABILITY



SAFETY



MULTI SIZE
FOR CERAMIC ONLY



LEVEL UP

Level Up is the ultimate solution for your raised external floor. It is very quick to install and it guarantees a safety and stable surface.

Level Up is available in 2 different models:

- LEVEL UP CERAMIC** is the system patented by Dakota that allows the creation of a load-bearing structure, adjustable in height thanks to its supports (minimum 48 mm), where lay multi format tiles for external use. The structure is made of a specific material and it is reinforced by steel profiles. Level up also guarantees high safety standards even in case of breakage.
- LEVEL UP WOOD** maintains the same philosophy of the ceramic one, with the only difference that this model is already provided with a final finishing made of thermotreated wood (ash or pine) or WPC shield. Level up Wood is distinguished by the load-bearing structure made of a specific material and it guarantees the highest safety standards even in case of breakage without the application of any additional reinforcement.

LOAD TEST

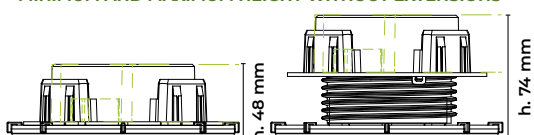
BREAKAGE LOAD*

1 daN=1 kg

PUNCTUAL LOAD	middle of the panel		> 900 daN
	middle of the side		> 700 daN
	diagonal		> 900 daN
	max working load EN 12825 safety factor = 2		375 daN
DISTRIBUTED LOAD	max distributed load		1.875 daN/m ²

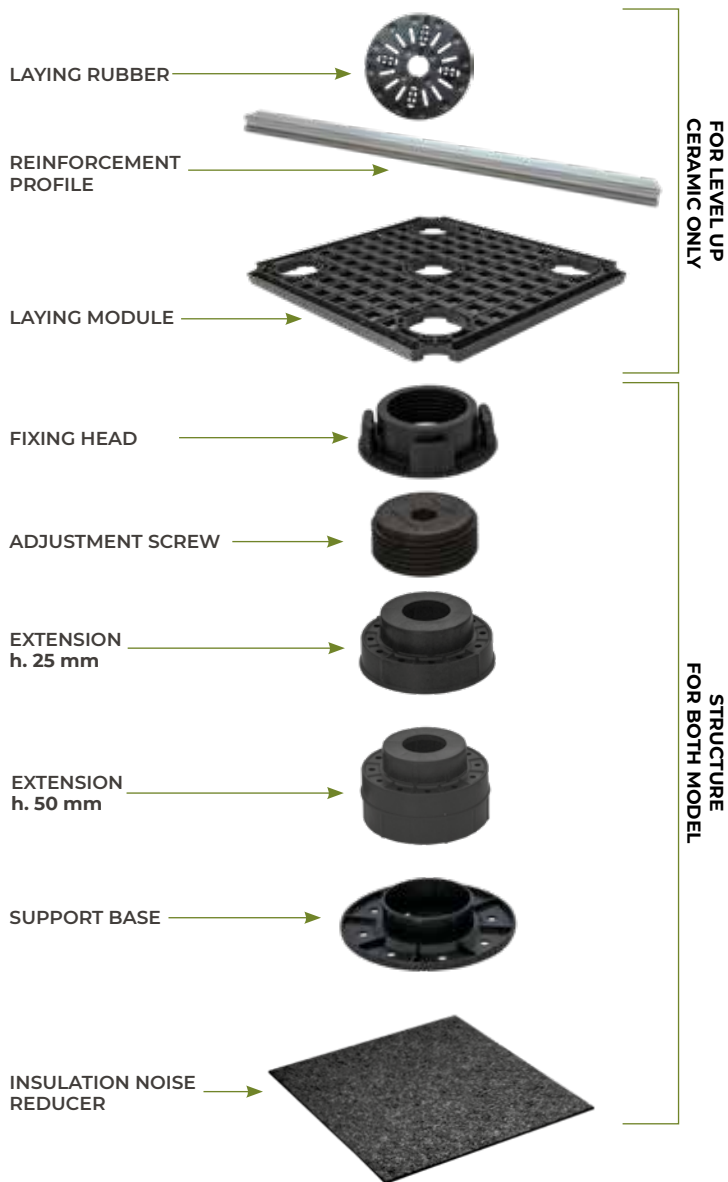
* Load test according to EN 12825 Part 5.2.1

LEVEL UP CERAMIC MINIMUM AND MAXIMUM HEIGHT WITHOUT EXTENSIONS



LEVEL UP WOOD

*LV014 - LV015 minimum height 69 mm, maximum height 95 mm
LV170/PZ - LV172/PZ minimum height 70 mm, maximum height 96 mm

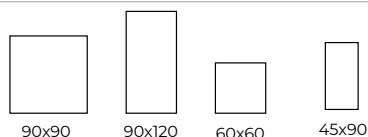


REINFORCEMENT PROFILES

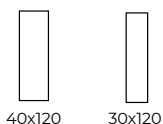
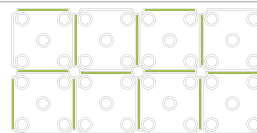
LEVEL UP CERAMIC

Sizes

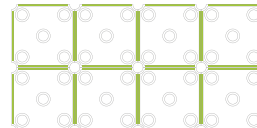
Reinforcement Profiles Number



2 REINFORCEMENT PROFILE (LAID IN ALTERNATE PAIRS)



4 REINFORCEMENT PROFILE (COMPLETE LAYING)



LEVEL UP WOOD

Code

Reinforcement Profiles Number

LV014

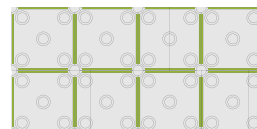
LV015

LV170/PZ

LV172/PZ

EACH LEVEL UP WOOD LAYING MODULE IS ALREADY PROVIDED

WITH 4 REINFORCEMENT PROFILE

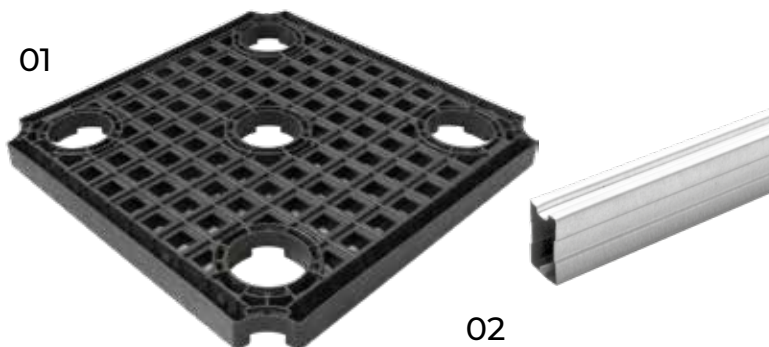


LEVEL UP CERAMIC

Code	Ref.	Product	mm	Pkg.	Pallet	UM
TER09-1125	01	Laying Module	600 x 600 x h. 38	15 pcs.	30 pcs.	pc.
POZ95-1313	02	Reinforcement Profile	34 x 482 x h. 19	30 pcs.	3.000 pcs.	pc.

MATERIAL

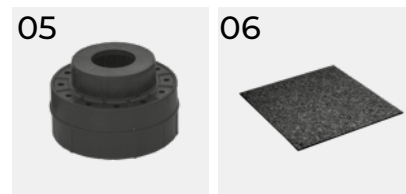
The Laying Module is made of high performance PEHD compound.
The Reinforcement Profile is made of galvanized steel.



LEVEL UP CERAMIC SUPPORT

Code	Ref.	Product	mm	Pkg.	Pallet	UM
TER09-1124	01	38 pcs. adjustable support for Level Up + 33 pcs Laying Rubber (TER09-1131)	from 48 to 74	1 box	15 boxes	box
TER09-1126KT	02	Adjustable support for Level Up	from 48 to 74	38 pcs.	570 pcs.	pc.
TER09-1131	03	Anti-noise rubber pad for tiles	ø 130 mm - thick. 2 mm	100 pcs.	126 boxes	pc.
TER09-1130	04	Extension h. 25	h. 25	38 pcs.	1.520 pcs.	pc.
TER09-1129	05	Extension h. 50	h. 50	38 pcs.	720 pcs.	pc.
TER09-1144	06	Insulation Noise Reducer	200 x 200 - thick. 3	80 pcs.	6.720 pcs.	box

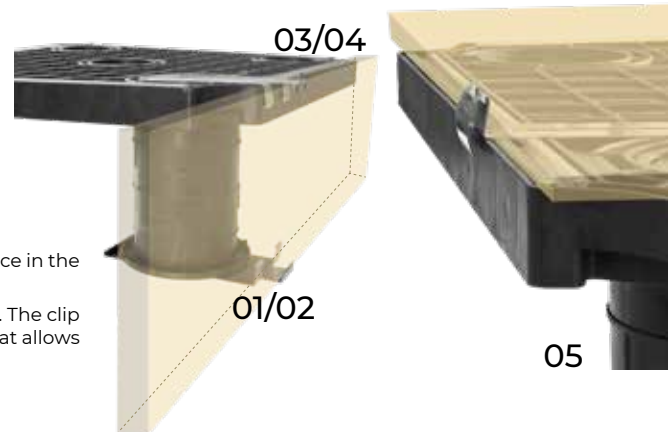
15 laying modules and the packaging of the ref. 1, 2, 4 and 5 contain the components for the installation of about **5,4 m² of Level Up**.



LEVEL UP CERAMIC - LATERAL FINISHING

Code	Ref.	Product	mm	Pkg.	Pallet	UM
TER09-1146/C	01	Base clip for vertical finishing - 10 mm	10	80 pcs.	-	pc.
TER09-1146/D	02	Base clip for vertical finishing - 20 mm	20	80 pcs.	-	pc.
TER09-1146/E	03	Head clip for vertical finishing - 10 mm	10	80 pcs.	-	pc.
TER09-1146/F	04	Head clip for vertical finishing - 20 mm	20	80 pcs.	-	pc.

Code	Ref.	Product	mm	Pkg.	Pallet	UM
TER09-1146/A	05	Universal clip for lateral laying	-	139 pcs.	-	pc.



DESCRIPTION

Clips for vertical finishing is a set that allows the finishing of the perimeter space in the absence of a lateral wall. Available for tiles of 10 and 20 mm thickness.

Universal clip to be used in the contact points of level up with the lateral walls. The clip avoid the direct contact between level up and the wall, with a special shape that allows to absorb all the possible movements and dilatation.

MATERIAL

Made in galvanized steel.

USE

Used to give your flooring an elegant sophisticated touch, with a uniform flat effect.

LEVEL UP WOOD

Code	Ref.	Product	mm	Pkg.	Pallet	UM
LV014	01	Tile made in thermotreated pine	600 x 600 x h. 59 mm	1 pc.	72 pcs.	pc.
LV015	02	Tile made in thermotreated ash	600 x 600 x h. 59 mm	1 pc.	72 pcs.	pc.
LV170/PZ	03	Tile made in WPC Shield Beach	600 x 600 x h. 60 mm	1 pc.	72 pcs.	pc.
LV172/PZ	04	Tile made in WPC Shield Silver	600 x 600 x h. 60 mm	1 pc.	72 pcs.	pc.

DESCRIPTION

Tile for outdoor decking.

Dimensions: 600 x 600 mm.

Plastic tiles with thermotreated wood (pine or ash) or WPC shield finishing.

The main structure and deck boards are joined together by 36 fixing points.

The thermotreatment process is carried out by exposing the wood to high temperatures up to 220°C, in a stainless steel oven, without the use of chemicals, just inducing heat, steam and water. This process reduces significantly the possibility of shrinkage, swelling or cracking. The durability characteristics are also improved, reaching similar values to the ones of the best tropical woods.

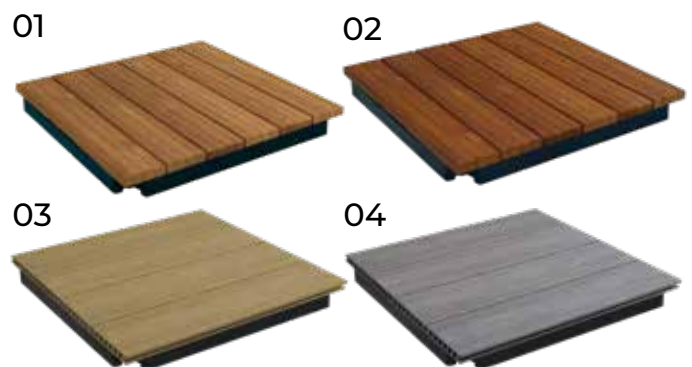
DAK-SHIELD offers multicolor and realistic finishing that gives the product a natural wood appeal. It is an eco product: 95% of its composition are made by recyclable materials as: regenerated hard wood fiber (with no impact on deforestation), plastic bottles and recycled PE-HD (high density polyethylene). DAK-SHIELD is coated with a plastic co-extruded film that protects it from colour changing, from natural (oil, coffee, wine, etc.) and chemical stains (acids), accompanied by a scratch protection on the surface.

MATERIAL

Made in thermotreated wood (pine or ash) or WPC Shield on a High Performance PE-HD Compound structure support.

USE

Perfect for outdoor use, terraces, flooring.



LEVEL UP WOOD SUPPORT

Code	Ref.	Product	mm	Pkg.	Pallet	UM
TER09-1126KT	01	Adjustable support for Level Up	*from 69 to 95 from 70 to 96	38 pcs.	570 pcs.	pc.
TER09-1133	02	Connector for surface installation	∅ 123 - height 40	100 pcs.	3.000 pcs.	box
TER09-1130	03	Extension h. 25	h. 25	38 pcs.	1.520 pcs.	pc.
TER09-1129	04	Extension h. 50	h. 50	38 pcs.	760 pcs.	pc.
TER09-1144	05	Insulation Noise Reducer	200 x 200 - thick. 3	80 pcs.	6.720 pcs.	box

The ref. 1, 3 and 4 contain the components for the installation of about **5,4 m² of Level Up**.



LEVEL UP WOOD - LATERAL FINISHING

Code	Ref.	Product	mm	Pkg.	Pallet	UM
LV016	01	Trapezoidal joist in thermotreated wood	40 x 40 x 2.000	1 pc.	-	pc.
TER09-1141K16	02-03	Kit of 16 bases and 16 top elements for corner finishing	-	16 + 16 pcs.	126 boxes	box
LV017	04	Rectangular joist in thermotreated wood	60 x 30 x 2.000	1 pc.	-	pc.
TER09-1140K	05-06	Kit of 10 bases and 10 top elements for perimetral finishing	-	10 + 10 pcs.	126 boxes	box



DESCRIPTION

Accessory kit that allows a perimeter closure of the thermotreated wooden tile system.

Wooden elements are of 2.000 mm length, with trapezoidal and rectangular shape to facilitate the horizontal positioning of the boards.

MATERIAL

Made in PP (polypropylene) and thermotreated pine wood.

USE

Used to give your flooring an elegant sophisticated touch, with a uniform flat effect.



OUTDOOR SPACER FOR TILES

Code	Product	mm	Pkg.	Pallet	UM
TER04-4300	Outdoor spacer for tiles - 100 pcs.	thick. 4 - ø 32	10 bags	200 boxes	pc.

DESCRIPTION

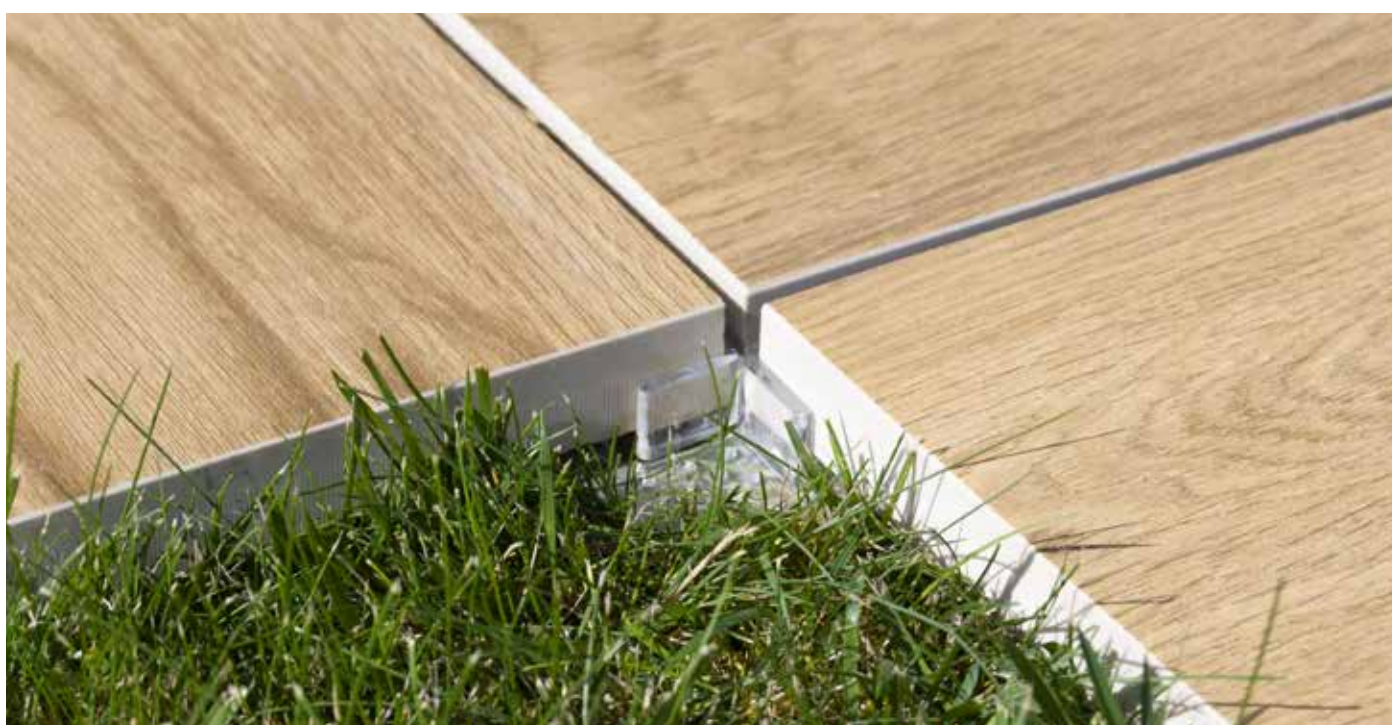
X shape tile spacer for outdoor.
 100 pcs. per bag.
 This product is available in black polypropylene also.

MATERIAL

Made of PMMA (polymethyl methacrylate).

USE

Used as a spacer in the tiling.



FIX TILE SUPPORT

Code	Ref.	Product	mm	Pkg.	Pallet	UM
TER09-1120	01	Fix tile support	h. 14	360 pcs.	5.760 pcs.	pc.
TER09-1121/1	02	Leveller for tile	thick. 1	1.000 pcs.	30.000 pcs.	pc.
TER09-1121	03	Leveller for tile	thick. 3	500 pcs.	12.500 pcs.	pc.

DESCRIPTION

Fix tiles support for the laying of the exterior tiles.
 Height 14 mm (overall dimensions 28 mm) and diameter 155 mm.
 It can be splitted up in 4 pieces and can be added 1 or 3 mm levelers.

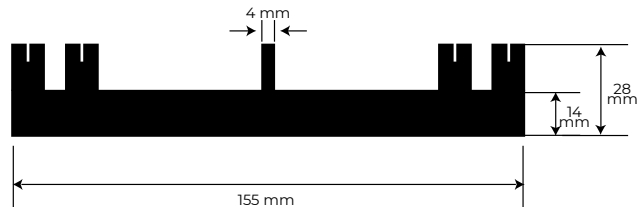
MATERIAL

Made of PP (polypropylene).

USE

This product allows the laying of exterior tiles (typically cement tiles) in outdoor environments (balconies, terraces, roof tops, patios, etc.) with a height of 14 mm.

The use of 1 or 3 mm additional levellers allows to reach higher heights.



01



02



thickness 1 mm

03



thickness 3 mm



TAK LEVEL KIT - LEVELING SYSTEM

Code	Product	mm	Pkg.	Pallet	UM
TER09-1155	Construction shims and wedges	-	1 box.	80 box.	box.

DESCRIPTION

Kit composed of:

- 20 wedges 45 x 170 x h. 26 mm;
- 20 wedges 45 x 90 x h. 15 mm;
- 20 shims 90 x 45 x thickness 5 mm;
- 20 shims 90 x 45 x thickness 3 mm;
- 20 shims 90 x 45 x thickness 2 mm;

The wedge 45 x 170 x h. 26 mm can be splitted in 2 smaller ones of dimensions 90 x 45 x h. 26/12 mm and 74 x 45 x h. 11/1 mm.

Each shim can be splitted in 4 smallest pieces thanks to the pre-cutted lines.

MATERIAL

Made of PP (polypropylene).

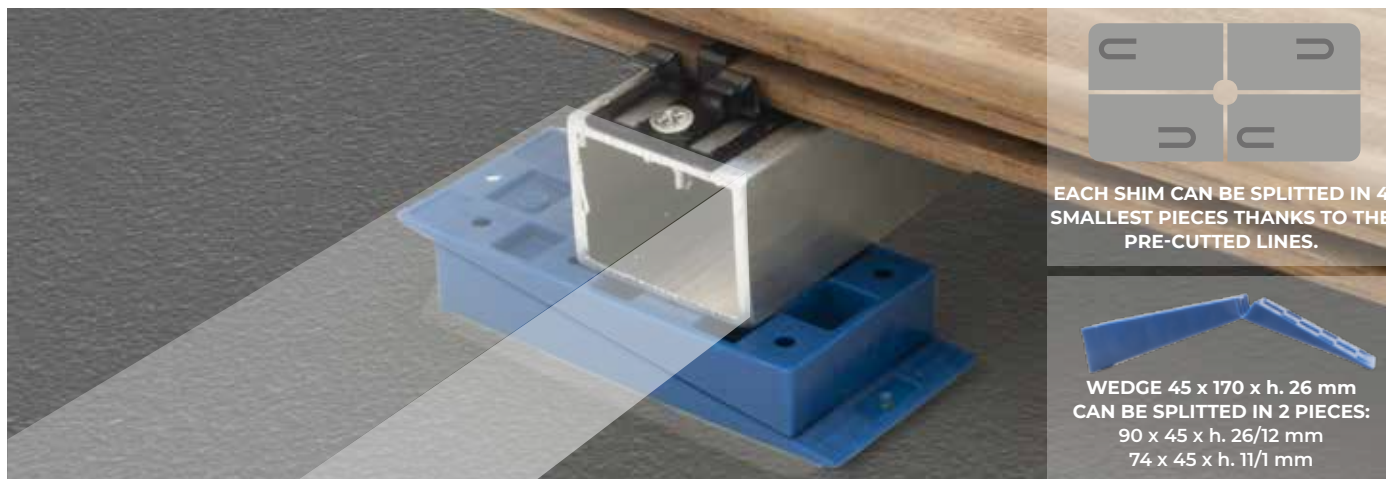
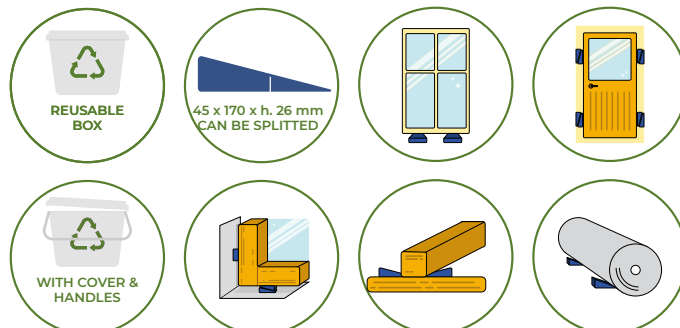
USE

This product is a practical solution for several applications in the construction industry.

It is widely used during the installation of external raised decking.

The combined use of 2 wedges guarantee a millimetric adjustment of the joists and the use of the shims allows to level the surface over the under-structure of the decking itself.

Moreover the wedges and shims can be used during the installation and fixing of doors and windows frames and for many other situation when a fast and modular fixing solution is required.



- 20x Wedge 45 x 170 x h. 26 mm 
- 20x Wedge 45 x 90 x h. 15 mm 
- 20x Shims 5 mm 
- 20x Shims 3 mm 
- 20x Shims 2 mm 

QUIX SYSTEM - INVISIBLE FIXING FOR DECKING

Code	Product	mm	Pkg.	Pallet	UM
TER09-1147DK	Kit - 64 bars, 10 studs, 2 pcs. 5 mm spacers and 2 sets of steel self-tapping screws (200 pcs. 6 x 25 mm and 20 pcs. 4 x 25 mm)	-	1 box.	80 box.	box.

DESCRIPTION

Kit consisting of 64 bars, 10 studs, 2 pcs. spacers of 5 mm and 2 sets of steel self-tapping screws (200 pcs. 6 x 25 mm and 20 pcs. 4 x 25 mm), for an easy and invisible fixing (without any visible screws) of external natural wood decking.

The kit allows the installation of around 4m² of decking.

MATERIAL

The bars, studs and spacers are made of PP (polypropylene), the screws are made of steel.

USE

The system is suitable for all types of natural wood boards, thanks to the modularity of the bars which can be broken and fixed on boards of any width.

The system guarantees the laying of the decking both on wood or metal joist and directly on concrete and, thanks to the 5 mm spacers, there will be a precise joint for a uniform and professional final result.



64x

Bar



10x

Stud



2x

Spacers



200x Screws 6 x 25 mm



20x Screws 4 x 25 mm



GEOREEF

Code	Product	mm	Pkg.	Pallet	UM
GAR03-0070	Georeef - landscape profile (pack 3 m)	h 45 - Length 3.000	1 pc.	21 pcs.	pc.
GAR03-0071	Georeef - landscape profile (pack 3 m)	h 60 - Length 3.000	1 pc.	21 pcs.	pc.

DESCRIPTION

Product for outdoor use that allows to design and model lines and dividing arches between different external areas. The profiles are very easy to install and disassemble and withstand the most various weather conditions and physical tractions. The installation is quick and easy and it does not require any particular or specific tool.

The profiles can be connected to each other just by overlapping and, once positioned according to the layout, fix them to the ground using the provided plastic spikes.

It is an excellent alternative to heavier and less aesthetically pleasing concrete edges.

Effective length of the package kit: 3 meter, complete with 12 plastic spikes.

It is available in two different heights: 45 mm and 60 mm, both in black.

MATERIAL

Made of PP (polypropylene).

USE

Used to delineate areas of separation between different external areas.

It is the ideal solution to set the bounds of circumscribe the edges of flowerbeds, to isolate the grassy area from intrusive gravel or to define protective areas around trees and bushes.



NON-WOVEN FABRIC

Code	Product	m	Pkg.	Pallet	UM
GAR03-0060	Non-woven fabric 200 gr	1,0 x 50	1 pc.	20 pcs.	pc.
GAR03-0061	Non-woven fabric 200 gr	2,0 x 50	1 pc.	20 pcs.	pc.

DESCRIPTION

Non-woven fabric consisting of 100% staple synthetic polyester fibers, mechanically punched.

Product characterized by high mechanical, chemical and biological resistance as well as water permeability. It can also be considered rotproof. It is available in white color, weight 200 gr/smq, in two different heights, 1 m and 2 m.

MATERIAL

Made of 100% staple synthetic polyester fibers.

USE

It is used in many fields of civil engineering, construction and garden, for its hydraulic functions (drainage and filtration) and mechanical (separation, reinforcement and protection).



ARTIFICIAL TURF

Code	Product	mm	Pkg.	Pallet	UM
GAR03-0034	Artificial turf - 25 mm - 50 sqm roll	2,0 x 25 m - h. 25 mm	1 pc.	-	pc.
GAR03-0035	Artificial turf - 35 mm - 50 sqm roll	2,0 x 25 m - h. 35 mm	1 pc.	-	pc.
GAR03-0036	Artificial turf - 45 mm - 50 sqm roll	2,0 x 25 m - h. 45 mm	1 pc.	-	pc.

DESCRIPTION

Artificial turf made of high density plastic polymer filaments, sewn on a draining support.

Extremely easy to install and to maintain, as it can be simply washed with water, possibly mixed with the bactericide detractor and then nebulized. The longer green filaments of the turf (length according to the various heights available) are crammed with a base layer of shorter filaments, to guarantee an excellent and realistic final effect, both to the eye and to the touch.

They are available in various heights, with sizes from 25, 35 and 45 mm.

MATERIAL

Made of high-density plastic polymer filaments.

USE

Designed for indoor and outdoor use.

Excellent solution for poolside finishing, to set up a special outdoor area such as baby areas (it does not attract insects and mosquitoes and does not encourage allergies), relax areas, patios or to renovate a terrace or a balcony.



ACCESSORIES - ARTIFICIAL TURF

Code	Product	Dimensions	Pkg.	Pallet	UM
GAR03-0037	Tape	140 mm x 10 m - thick. 1,5 mm	4 pcs.	192 pcs.	pc.
GAR03-0080	Detergent	750 ml	-	-	pc.
GAR03-0081	Silica sand	25 kg	1 pc.	64 pcs.	pc.
GAR03-0060	Non-woven fabric	1,0 x 50 m	1 pc.	20 pcs.	pc.

DESCRIPTION

Accessories to complete the installation of artificial turf that include butyl tape for fixing the rolls to each other, bactericidal detergent to ensure the absence of bacteria or mold formation, silica sand and non-woven fabric for consolidation, infill and finish of the subfloor.

MATERIAL

Tape made of butyl resin with an adhesive side, non-woven fabric made of PES and detergent with added nano silver particles for a high bactericidal action.

USE

Used for the installation and cleaning of the artificial turf.

GREEN PLUS

Code	Product	mm	Pkg.	Pallet	UM
GAR01-0001/5	Green Plus	h 50 - 400 x 400	1 pc.	510 pcs.	pc.
GAR01-0002/4	Green Plus 2.4	h 40 - 800 x 400	1 pc.	156 pcs.	pc.
GAR01-0002/5	Green Plus 2.5	h 50 - 800 x 400	1 pc.	132 pcs.	pc.
GAR01-0005	Yellow Cap	-	100 pcs.	-	box
GAR01-0006	White Cap	-	100 pcs.	-	box
GAR01-0007	Blue Cap	-	100 pcs.	-	box

DESCRIPTION

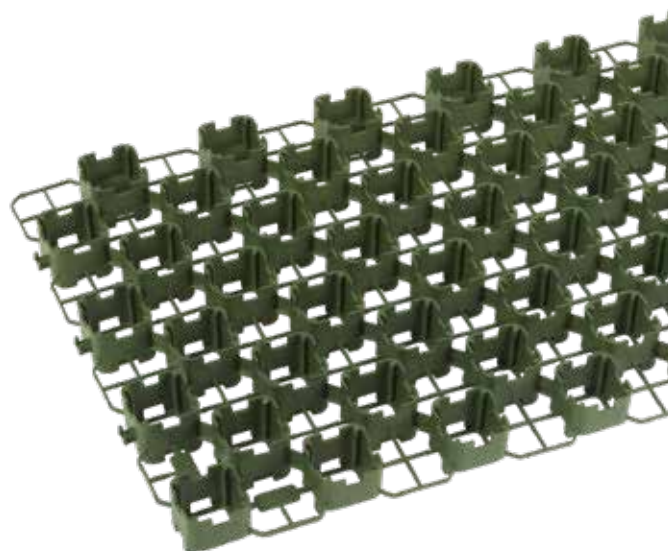
GREEN PLUS is a green grass grating tile for garden protection. It consists in a modular interlocking elements, available in 3 versions:
 · 400 x 400 x h. 50 mm;
 · 800 x 400 x h. 40 mm (GREEN PLUS 2.4);
 · 800 x 400 x h. 50 mm (GREEN PLUS 2.5).
 3 different caps can be applied to define parking slots or other indications. Loading capacity > 300 tons/m².

MATERIAL

Made of high-density polyethylene (PE-HD).

USE

It is used for the reinforcement of the grass in areas dedicated to parking slots, recreational activities and staging.



PLASTIC TILE

Code	Product	mm	Pkg.	Pallet	UM
GAR01-0008V	Green plastic tile	400 x 400 h 50	1 pc.	120 pcs.	pc.
GAR01-0008R	Red plastic tile	400 x 400 h 50	1 pc.	120 pcs.	pc.
GAR01-0008G	Grey plastic tile	400 x 400 h 50	1 pc.	120 pcs.	pc.

DESCRIPTION

Green, red or grey plastic tile for garden, It consist in a modular interlocking element. Measures 400 x 400 x 50 m. It can be matched with ramps and corners for easy a positioning and use. High flow rate > 45 kN/smq.

MATERIAL

Made of PE-HD (high-density polyethylene) and PP (polypropylene).

USE

Alternative uses for residential areas or garden intended for garden furniture and/or recreational activities and/or walkways.



SEMI PERFORATED TILE

Code	Product	mm	Pkg.	Pallet	UM
GAR01-0009V	Green semi perforated tile	400 x 400 h 50	1 pc.	120 pcs.	pc.
GAR01-0009R	Red semi perforated tile	400 x 400 h 50	1 pc.	120 pcs.	pc.
GAR01-0009G	Grey semi perforated tile	400 x 400 h 50	1 pc.	120 pcs.	pc.

DESCRIPTION

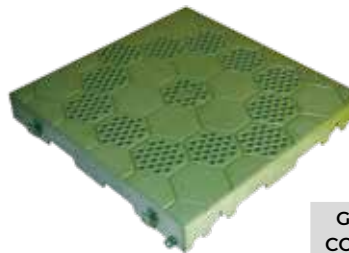
Green, red or grey semi perforated tile for garden, It consist in a modular interlocking element. Measures 400 x 400 x 50 m. It can be matched with ramps and corners for easy a positioning and use. High flow rate > 45 kN/smq.

MATERIAL

Made of PE-HD (high-density polyethylene) and PP (polypropylene).

USE

Alternative uses for residential areas or garden intended for garden furniture and/or recreational activities and/or walkways.



PERFORATED TILE

Code	Product	mm	Pkg.	Pallet	UM
GAR01-0014V	Green perforated tile	400 x 400 h 50	1 pc.	120 pcs.	pc.
GAR01-0014R	Red perforated tile	400 x 400 h 50	1 pc.	120 pcs.	pc.
GAR01-0014G	Grey perforated tile	400 x 400 h 50	1 pc.	120 pcs.	pc.

DESCRIPTION

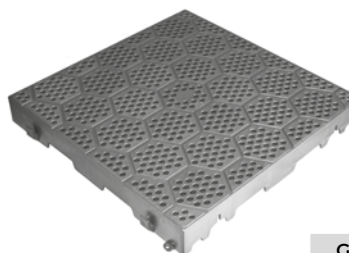
Green, red or grey perforated tile for garden, It consist in a modular interlocking element. Measures 400 x 400 x 50 m. It can be matched with ramps and corners for easy a positioning and use. High flow rate > 45 kN/smq.

MATERIAL

Made of PE-HD (high-density polyethylene) and PP (polypropylene).

USE

Alternative uses for residential areas or garden intended for garden furniture and/or recreational activities and/or walkways.



RAMP FOR TILE

Code	Product	mm	Pkg.	Pallet	UM
GAR01-0011V	Ramp for green tile	400 x 150 h 50	40 pcs.	600 pcs.	pc.
GAR01-0011R	Ramp for red tile	400 x 150 h 50	40 pcs.	600 pcs.	pc.
GAR01-0011G	Ramp for grey tile	400 x 150 h 50	40 pcs.	600 pcs.	pc.

DESCRIPTION

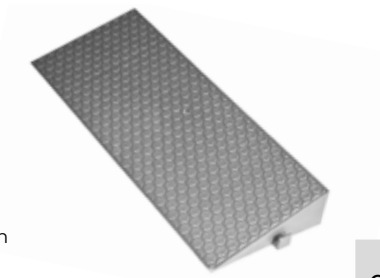
Accessory for Tile.
It consist in a modular interlocking element.
Measures 400 x 150 x 50 mm.
Combinable to corners to facilitate the placement and use.
High flow rate > 45 kN/smq.

MATERIAL

Made of PE-HD (high-density polyethylene) and PP (polypropylene).

USE

Alternative uses for residential areas or garden intended for garden furniture and/or recreational activities and/or walkways.



CORNER FOR TILE

Code	Product	mm	Pkg.	Pallet	UM
GAR01-0012V	Corner for green tile	150 x 150 h 50	1 pc.	2.000 pcs.	pc.
GAR01-0012R	Corner for red tile	150 x 150 h 50	1 pc.	2.000 pcs.	pc.
GAR01-0012G	Corner for grey tile	150 x 150 h 50	1 pc.	2.000 pcs.	pc.

DESCRIPTION

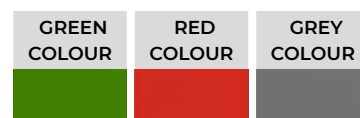
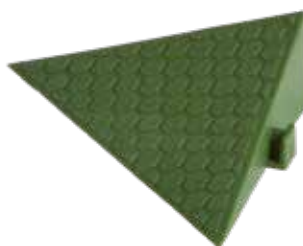
Accessory for Tile.
It consist in a modular interlocking element.
Measures 150 x 150 x 50 mm.
It can be matched with ramps for easy positioning and use.
High flow rate > 45 kN/smq.

MATERIAL

Made of PE-HD (high-density polyethylene) and PP (polypropylene).

USE

Alternative uses for residential areas or garden intended for garden furniture and/or recreational activities and/or walkways.



BASE FOR TILE

Code	Product	mm	Pkg.	Pallet	UM
GAR01-0013	Base for tile	385 x 97 x 15	70 pcs.	3.500 pcs.	pc.

DESCRIPTION

Accessory for Tile.
It consist in a modular interlocking element.
Measures 385 x 97 x 15 mm.
It can be matched with ramps and corners.

MATERIAL

Made of PP (polypropylene).

USE

It is used to allow the laying of tiles in terraces in direct contact with the bituminous sheeting. It prevents the tear of the sheets by increasing the contact surface of the tiles.



DRAINING TILE

Code	Product	mm	Pkg.	Pallet	UM
GAR01-0015V	Green draining tile	400 x 400 h 18	6 pcs.	324 pcs.	pc.
GAR01-0015GC	Grey draining tile	400 x 400 h 18	6 pcs.	324 pcs.	pc.
GAR01-0015R	Red draining tile	400 x 400 h 18	6 pcs.	324 pcs.	pc.

DESCRIPTION

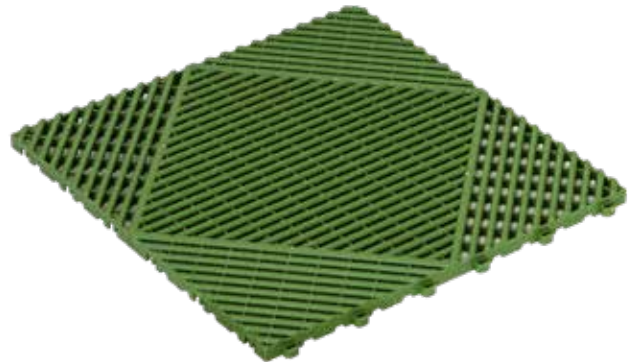
Draining tile for Garden in PP, available in green, grey and red colour. Element modular interlocking measures 400 x 400 x 18 mm.

MATERIAL

Made of PP (polypropylene).

USE

Alternative uses for residential lawns or garden furniture intended for screed and/or recreational activities and/or walkways.



PIPE CUBE

Code	Product	mm	Pkg.	Pallet	UM
POZ01-1374AT	Catch-pit for irrigation system	400 x 400 x 360	1 pc.	30 pcs.	pc.



DESCRIPTION

Catch-pit PIPE CUBE for garden, in green colour and PP cover with handle. Dimensions: 400 x 400 x 360 mm, with removable integrated irrigation system.

Internal predisposition to rewind the hose.

MATERIAL



Made of PE-HD (high-density polyethylene) and PP (polypropylene).

USE

Installed underground, it contains the garden irrigation system, avoiding the use of buckets and hoses.






ABS UNIVERSAL GRILL

Code	Product	mm	Pkg.	Pallet	UM	
UNI09-6434ABS	Universal round grill \varnothing 70 in ABS		inlet from 40 to 60	200 pcs.	6.000 pcs.	pc.
UNI09-6428ABS	Universal round grill \varnothing 140 in ABS		inlet from 63 to 125	100 pcs.	1.500 pcs.	pc.
UNI09-6427ABS	Universal round grill \varnothing 180 in ABS		inlet from 120 to 160	50 pcs.	750 pcs.	pc.
UNI09-6429ABS	Universal round grill \varnothing 230 in ABS		inlet from 140 to 200	18 pcs.	360 pcs.	pc.
UNI09-6213ABS	Universal rectangular grill 210 x 230 in ABS		inlet from 140 to 200	20 pcs.	360 pcs.	pc.

ABS FIXED ROUND GRILL

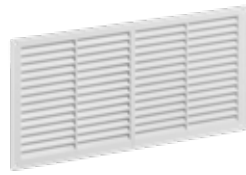
Code	Product	mm	Pkg.	Pallet	UM	
UNI09-6360ABS	Fixed round grill in ABS		inlet 60	200 pcs.	6.000 pcs.	pc.
UNI09-6380ABS	Fixed round grill in ABS		inlet 80	100 pcs.	3.000 pcs.	pc.
UNI09-6400ABS	Fixed round grill in ABS		inlet 100	100 pcs.	2.000 pcs.	pc.
UNI09-6410ABS	Fixed round grill in ABS		inlet 110	80 pcs.	1.600 pcs.	pc.
UNI09-6420ABS	Fixed round grill in ABS		inlet 120	50 pcs.	1.000 pcs.	pc.
UNI09-6441ABS	Fixed round grill in ABS		inlet 140	80 pcs.	1.200 pcs.	pc.
UNI09-6442ABS	Fixed round grill in ABS		inlet 160	60 pcs.	1.200 pcs.	pc.
UNI09-6443ABS	Fixed round grill in ABS		inlet 200	30 pcs.	750 pcs.	pc.

ABS FIXED SQUARE AND RECTANGULAR GRILL

Codice	Prodotto	mm	Pkg.	Pallet	UM	
UNI09-6435ABS	Fixed square grill		145 x 145	100 pcs.	3.000 pcs.	pc.
UNI09-6421ABS	Fixed rectangular grill		200 x 150	100 pcs.	2.000 pcs.	pc.
UNI09-6214ABS	Fixed rectangular grill		235 x 215	50 pcs.	1.000 pcs.	pc.
UNI09-6430ABS	Fixed rectangular grill to inlet		130 x 260	50 pcs.	1.000 pcs.	pc.
UNI09-6423ABS	Fixed rectangular grill to inlet		365 x 125	50 pcs.	1.000 pcs.	pc.

ABS FIXED RECTANGULAR MODULAR GRILL

Code	Product	mm	Pkg.	Pallet	UM
UNI11-6425	Plastic fixed modular grill	430 x 220	25 pcs.	600 pcs.	pc.
UNI11-6426	Plastic fixed modular grill	630 x 220	25 pcs.	375 pcs.	pc.
UNI11-6427	Plastic fixed modular grill	830 x 220	25 pcs.	300 pcs.	pc.



ABS RECESS GRILL

Code	Product	mm	Pkg.	Pallet	UM
UNI12-6460	ABS Recess grill	150 x 150	10 pcs.	1.200 pcs.	pc.
UNI12-6461	ABS Recess grill	190 x 190	10 pcs.	750 pcs.	pc.
UNI12-6462	ABS Recess grill	170 x 250	10 pcs.	500 pcs.	pc.
UNI12-6463	ABS Recess grill	140 x 300	10 pcs.	500 pcs.	pc.



ABS RECESS GRILL WITH ADJUSTABLE SHUTTER

Code	Product	mm	Pkg.	Pallet	UM
UNI12-6460S	ABS Recess grill with adjustable shutter	150 x 150	10 pcs.	1.200 pcs.	pc.
UNI12-6461S	ABS Recess grill with adjustable shutter	190 x 190	10 pcs.	750 pcs.	pc.
UNI12-6462S	ABS Recess grill with adjustable shutter	170 x 250	10 pcs.	500 pcs.	pc.
UNI12-6463S	ABS Recess grill with adjustable shutter	140 x 300	10 pcs.	500 pcs.	pc.



ABS RECESS GRILL WITH MESH, ADJUSTABLE SHUTTER AND INLET

Code	Product	mm	Pkg.	Pallet	UM
UNI12-6460SI	ABS Recess grill with adjustable shutter and Inlet	ø 100 - 150 x 150	10 pcs.	500 pcs.	pc.
UNI12-6461SI	ABS Recess grill with adjustable shutter and Inlet	ø 125 - 190 x 190	10 pcs.	270 pcs.	pc.
UNI12-6462SI	ABS Recess grill with adjustable shutter and Inlet	ø 150 - 190 x 190	10 pcs.	270 pcs.	pc.



ABS PLASTIC LINE PRIME - INSPECTION HATCH

Code	Product	mm	Pkg.	Pallet	UM
TER30-7044	ABS inspection hatch	165 x 165	6 pcs.	720 pcs.	pc.
TER30-7045	ABS inspection hatch	165 x 215	6 pcs.	450 pcs.	pc.
TER30-7046	ABS inspection hatch	215 x 215	6 pcs.	450 pcs.	pc.
TER30-7047	ABS inspection hatch	215 x 265	6 pcs.	300 pcs.	pc.
TER30-7048	ABS inspection hatch	215 x 315	6 pcs.	300 pcs.	pc.
TER30-7049	ABS inspection hatch	305 x 305	6 pcs.	204 pcs.	pc.



ABS INSPECTION GRILL WITH FILTER

Code	Product	mm	Pkg.	Pallet	UM
TER30-7044G	ABS inspection grill with filter	165 x 165	6 pcs.	720 pcs.	pc.
TER30-7045G	ABS inspection grill with filter	165 x 215	6 pcs.	450 pcs.	pc.
TER30-7046G	ABS inspection grill with filter	215 x 215	6 pcs.	450 pcs.	pc.
TER30-7047G	ABS inspection grill with filter	215 x 265	6 pcs.	300 pcs.	pc.
TER30-7048G	ABS inspection grill with filter	215 x 315	6 pcs.	300 pcs.	pc.
TER30-7049G	ABS inspection grill with filter	305 x 305	6 pcs.	204 pcs.	pc.



ABS GRILL WITH GRAVITY DAMPER

Code	Product	mm	Pkg.	Pallet	UM
TER30-7044S	ABS surface-mounted grill with gravity damper	150 x 150	10 pcs.	1.200 pcs.	pc.
TER30-7045S	ABS surface-mounted grill with gravity damper	190 x 190	10 pcs.	750 pcs.	pc.



ABS GRILL WITH SHUTTER

Code	Product	mm	Pkg.	Pallet	UM
TER30-7144S	ABS surface-mounted grill with shutter	150 x 150	10 pcs.	1.200 pcs.	pc.
TER30-7145S	ABS surface-mounted grill with shutter	190 x 190	10 pcs.	750 pcs.	pc.
TER30-7146SG	ABS surface-mounted grill with shutter with inlet \varnothing 100	\varnothing 100 - 150 x 150	10 pcs.	500 pcs.	pc.
TER30-7147SG	ABS surface-mounted grill with shutter with inlet \varnothing 125	\varnothing 125 - 190 x 190	10 pcs.	270 pcs.	pc.
TER30-7148SG	ABS surface-mounted grill with shutter with inlet \varnothing 150	\varnothing 150 - 190 x 190	10 pcs.	270 pcs.	pc.



ABS VORTEX FIXED GRILL

Code	Product	mm	Pkg.	Pallet	UM
TER30-7150	ABS Vortex fixed grill	\varnothing 100	10 pcs.	340 pcs.	pc.
TER30-7151	ABS Vortex fixed grill	\varnothing 125	10 pcs.	340 pcs.	pc.
TER30-7152	ABS Vortex fixed grill	\varnothing 150	10 pcs.	200 pcs.	pc.



ABS FIXED VALVE WITH ADJUSTABLE DIFFUSER WITHOUT INSECT SCREEN MESH

Code	Product	mm	Pkg.	Pallet	UM
TER30-7160	ABS fixed valve with adjustable diffuser without mesh	\varnothing 100	10 pcs.	340 pcs.	pc.
TER30-7161	ABS fixed valve with adjustable diffuser without mesh	\varnothing 125	10 pcs.	270 pcs.	pc.
TER30-7162	ABS fixed valve with adjustable diffuser without mesh	\varnothing 150	10 pcs.	270 pcs.	pc.



ABS FIXED VALVE SPRING WITH ADJUSTABLE DIFFUSER WITHOUT MESH

Code	Product	mm	Pkg.	Pallet	UM
TER30-7165	ABS fixed valve with spring adjustable diffuser without mesh	ø 100	10 pcs.	500 pcs.	pc.
TER30-7166	ABS fixed valve with spring adjustable diffuser without mesh	ø 125	10 pcs.	340 pcs.	pc.
TER30-7167	ABS fixed valve with spring adjustable diffuser without mesh	ø 150/160	10 pcs.	340 pcs.	pc.



ABS COPPER-COATED UNIVERSAL ROUND GRILL

Code	Product	mm	Pkg.	Pallet	UM
UNI09-6434AR	ABS Copper-Coated universal round grill ø 70	inlet from 40 to 60	200 pcs.	6.000 pcs.	pc.
UNI09-6428AR	ABS Copper-Coated universal round grill ø 140	inlet from 63 to 125	100 pcs.	1.500 pcs.	pc.
UNI09-6427AR	ABS Copper-Coated universal round grill ø 180	inlet from 120 to 160	50 pcs.	750 pcs.	pc.
UNI09-6429AR	ABS Copper-Coated universal round grill ø 230	inlet from 140 to 200	18 pcs.	360 pcs.	pc.
UNI09-6213AR	ABS Copper-Coated universal rectangular grill 210 x 230	inlet from 140 to 200	20 pcs.	360 pcs.	pc.



ALUMINUM UNIVERSAL GRILL

Code	Product		mm	Pkg.	Pallet	UM
UNI02-6428AB	Aluminum universal round grill ø 150		inlet from 80 to 125	25 pcs.	1.375 pcs.	pc.
UNI02-6427AB	Aluminum universal round grill ø 180		inlet from 120 to 160	25 pcs.	825 pcs.	pc.
UNI02-6429AB	Aluminum universal round grill ø 222		inlet from 160 to 200	25 pcs.	525 pcs.	pc.

ALUMINUM FIXED ROUND GRILL

Code	Product		mm	Pkg.	Pallet	UM
UNI20-6080	Aluminum fixed round grill		inlet 80	24 pcs.	1.536 pcs.	pc.
UNI20-6100	Aluminum fixed round grill		inlet 100	24 pcs.	1.152 pcs.	pc.
UNI20-6120	Aluminum fixed round grill		inlet 120	24 pcs.	792 pcs.	pc.
UNI20-6140	Aluminum fixed round grill		inlet 140	24 pcs.	504 pcs.	pc.
UNI20-6150	Aluminum fixed round grill		inlet 150	24 pcs.	504 pcs.	pc.
UNI20-6160	Aluminum fixed round grill		inlet 160	24 pcs.	504 pcs.	pc.
UNI20-6200	Aluminum fixed round grill		inlet 200	24 pcs.	288 pcs.	pc.

ALUMINUM FIXED SQUARE AND RECTANGULAR GRILL

Code	Product		mm	Pkg.	Pallet	UM
UNI21-6214	Aluminum fixed square grill		150 x 150	25 pcs.	3.450 pcs.	pc.
UNI21-6213	Aluminum fixed square grill		230 x 230	30 pcs.	1.440 pcs.	pc.
UNI21-6211	Aluminum fixed rectangular grill		280 x 150	25 pcs.	1.600 pcs.	pc.
UNI21-6212	Aluminum fixed rectangular grill		415 x 150	25 pcs.	1.050 pcs.	pc.

WHITE PREPAINTED ALUMINUM UNIVERSAL GRILL

Code	Product	mm	Pkg.	Pallet	UM	
UNI02-6428PB	White prepainted Aluminum universal round grill ø 150		inlet from 80 to 125	25 pcs.	1.375 pcs.	pc.
UNI02-6427PB	White prepainted Aluminum universal round grill ø 180		inlet from 120 to 160	25 pcs.	825 pcs.	pc.


WHITE PREPAINTED ALUMINUM FIXED ROUND GRILL

Code	Product	mm	Pkg.	Pallet	UM	
UNI20-6080PB	White prepainted Aluminum fixed round grill		inlet 80	24 pcs.	1.536 pcs.	pc.
UNI20-6100PB	White prepainted Aluminum fixed round grill		inlet 100	24 pcs.	1.152 pcs.	pc.
UNI20-6120PB	White prepainted Aluminum fixed round grill		inlet 120	24 pcs.	792 pcs.	pc.
UNI20-6140PB	White prepainted Aluminum fixed round grill		inlet 140	24 pcs.	504 pcs.	pc.
UNI20-6150PB	White prepainted Aluminum fixed round grill		inlet 150	24 pcs.	504 pcs.	pc.
UNI20-6160PB	White prepainted Aluminum fixed round grill		inlet 160	24 pcs.	504 pcs.	pc.
UNI20-6200PB	White prepainted Aluminum fixed round grill		inlet 200	24 pcs.	288 pcs.	pc.


WHITE PREPAINTED ALUMINUM FIXED SQUARE AND RECTANGULAR GRILL

Code	Product	mm	Pkg.	Pallet	UM	
UNI21-6214PB	White prepainted Aluminum fixed square grill		150 x 150	25 pcs.	3.450 pcs.	pc.
UNI21-6213PB	White prepainted Aluminum fixed square grill		235 x 235	30 pcs.	1.440 pcs.	pc.
UNI21-6211PB	White prepainted Aluminum fixed rectangular grill		280 x 150	25 pcs.	1.600 pcs.	pc.
UNI21-6212PB	White prepainted Aluminum fixed rectangular grill		415 x 150	25 pcs.	1.050 pcs.	pc.

COPPER UNIVERSAL GRILL

Code	Product		mm	Pkg.	Pallet	UM
UNI03-6428RB	Copper universal round grill ø 150		inlet from 80 to 125	25 pcs.	1.375 pcs.	pc.
UNI03-6427RB	Copper universal round grill ø 180		inlet from 120 to 160	25 pcs.	825 pcs.	pc.
UNI03-6429RB	Copper universal round grill ø 222		inlet from 140 to 200	25 pcs.	525 pcs.	pc.

COPPER FIXED ROUND GRILL

Code	Product		mm	Pkg.	Pallet	UM
UNI30-6081	Copper fixed round grill		inlet 80	24 pcs.	1.536 pcs.	pc.
UNI30-6101	Copper fixed round grill		inlet 100	24 pcs.	1.152 pcs.	pc.
UNI30-6121	Copper fixed round grill		inlet 120	24 pcs.	792 pcs.	pc.
UNI30-6141	Copper fixed round grill		inlet 140	24 pcs.	504 pcs.	pc.
UNI30-6151	Copper fixed round grill		inlet 150	24 pcs.	504 pcs.	pc.
UNI30-6161	Copper fixed round grill		inlet 160	24 pcs.	504 pcs.	pc.
UNI30-6201	Copper fixed round grill		inlet 200	24 pcs.	288 pcs.	pc.

COPPER FIXED SQUARE AND RECTANGULAR GRILL

Code	Product		mm	Pkg.	Pallet	UM
UNI31-6219	Copper fixed square grill		150 x 150	25 pcs.	3.450 pcs.	pc.
UNI31-6218	Copper fixed square grill		230 x 230	30 pcs.	1.440 pcs.	pc.
UNI31-6216	Copper fixed rectangular grill		280 x 150	25 pcs.	1.600 pcs.	pc.
UNI31-6217	Copper fixed rectangular grill		415 x 150	25 pcs.	1.050 pcs.	pc.

BOX FOR GAS METER WITH FIBERGLASS HATCH

Code	Product	mm	Pkg.	Pallet	UM
ZIN21-8007	Box for Gas with Fiberglass Hatch	550 x 300 x 300	1 pc.	65 pcs.	pc.
ZIN21-8008	Box for Gas with Fiberglass Hatch	550 x 400 x 400	1 pc.	65 pcs.	pc.

DESCRIPTION

Designed to accommodate gas counters (with volume flow below to 6 m³/h) with ventilation slots, equipped with back hatch and simple lock with proper squared key.

This product complies with the UNI 9036:2015 standard for remote reading. Packed disassembled in carton box.

MATERIAL

Made of galvanized steel (body) and fiberglass (front hatch), colour grey (RAL 7001).

It is particularly resistant to shocks and ageing caused by exposure to the atmospheric elements.

USE

It is used to contain gas meters, to protect them from tampering and/or vandalism and to allow the meter reading and maintenance.



FIBERGLASS HATCH FOR GAS METER BOX

Code	Product	mm	Pkg.	Pallet	UM
ZIN23-8007S	Fiberglass Hatch for Gas Meter Box with Galvanized Frame	550 x 300	1 pc.	90 pcs.	pc.
ZIN23-8008S	Fiberglass Hatch for Gas Meter Box with Galvanized Frame	550 x 400	1 pc.	90 pcs.	pc.

DESCRIPTION

Provided with ventilation slots for the covering of gas meters. Packed in carton box.

MATERIAL

Made of fiberglass (RAL 7001), with galvanized steel frame.

It is particularly resistant to shocks and ageing caused by exposure to the atmospheric elements.

USE

To cover and protect gas meters built into the wall, allowing them to be read periodically.



HATCH FOR GAS, WATER AND ELECTRICITY

Code	Product	mm	Pkg.	Pallet	UM
TER30-7090	Hatch for gas, water and electricity	330 x 230	32 pcs.	576 pcs.	pc.
TER30-7091	Hatch for gas, water and electricity	460 x 310	15 pcs.	270 pcs.	pc.
TER30-7092	Hatch for gas, water and electricity	500 x 400	12 pcs.	216 pcs.	pc.
TER30-7093	Hatch for gas, water and electricity	400 x 600	12 pcs.	180 pcs.	pc.

DESCRIPTION

Designed to cover gas, water or electricity meters.
Frame flush with the wall, lock and key are included.
Packed in box.

MATERIAL

Made of ABS or galvanized steel, it is particularly resistant to ageing caused by exposure to the atmospheric elements.

USE

It is used to cover and to protect electric counters recessed in the wall, allowing the meter reading.



RETRACTABLE GALVANIZED HATCH

Code	Product	mm	Pkg.	Pallet	UM
ZIN28-7080	Retractable galvanized hatch	400 x 300	1 pc.	145 pcs.	pc.
ZIN28-7081	Retractable galvanized hatch	350 x 450	1 pc.	128 pcs.	pc.
ZIN28-7082	Retractable galvanized hatch	300 x 500	1 pc.	92 pcs.	pc.
ZIN28-7083	Retractable galvanized hatch	400 x 500	1 pc.	100 pcs.	pc.
ZIN28-7084	Retractable galvanized hatch	500 x 500	1 pc.	63 pcs.	pc.
ZIN28-7085	Retractable galvanized hatch	500 x 600	1 pc.	60 pcs.	pc.

DESCRIPTION

Frame flush with the wall, lock and key are included.
Packed in box.

MATERIAL

Made of galvanized steel, it is particularly resistant to ageing caused by exposure to the atmospheric elements.

USE

It is used to cover and to protect electric counters recessed in the wall, allowing the meter reading.



GALVANIZED STEEL GAS HATCH

Code	Product	mm	Pkg.	Pallet	UM
ZIN23-7009	Galvanized steel gas hatch	300 x 450	12 pcs.	216 pcs.	pc.
ZIN23-7009B	Galvanized steel gas hatch	350 x 450	12 pcs.	180 pcs.	pc.
ZIN23-7008	Galvanized steel gas hatch	300 x 500	12 pcs.	216 pcs.	pc.
ZIN23-7008B	Galvanized steel gas hatch	400 x 500	12 pcs.	144 pcs.	pc.
ZIN23-7000	Galvanized steel gas hatch	400 x 600	12 pcs.	120 pcs.	pc.
ZIN23-7002	Galvanized steel gas hatch	500 x 600	12 pcs.	96 pcs.	pc.
ZIN23-7001	Galvanized steel gas hatch	400 x 700	12 pcs.	120 pcs.	pc.

DESCRIPTION

Designed to cover gas meters.
Frame flush with the wall, lock and key are included.
Packed in box.

MATERIAL

Made of galvanized sheet metal, it is particularly resistant to ageing caused by exposure to the atmospheric elements.

USE

It is used to cover and to protect electric counters recessed in the wall, allowing the meter reading.



GALVANIZED STEEL WATER HATCH

Code	Product	mm	Pkg.	Pallet	UM
ZIN24-7017B	Galvanized steel water hatch	400 x 300	12 pcs.	216 pcs.	pc.
ZIN24-7018	Galvanized steel water hatch	500 x 400	12 pcs.	144 pcs.	pc.
ZIN24-7019	Galvanized steel water hatch	600 x 500	12 pcs.	96 pcs.	pc.

DESCRIPTION

Designed to cover water meters.
Frame flush for the wall, lock and key are included.
Packed in box.

MATERIAL

Made of galvanized sheet metal, it is particularly resistant to ageing caused by exposure to the atmospheric elements.

USE

It is used to cover and to protect electric counters recessed in the wall, allowing the meter reading.



GALVANIZED STEEL INSPECTION HATCH

Code	Product	mm	Pkg.	Pallet	UM
ZIN25-7010	Galvanized steel inspection hatch	150 x 150	25 pcs.	450 pcs.	pc.
ZIN25-7011	Galvanized steel inspection hatch	200 x 200	20 pcs.	360 pcs.	pc.
ZIN25-7012	Galvanized steel inspection hatch	250 x 200	25 pcs.	450 pcs.	pc.
ZIN25-7013	Galvanized steel inspection hatch	300 x 200	20 pcs.	300 pcs.	pc.
ZIN25-7014	Galvanized steel inspection hatch	250 x 250	20 pcs.	220 pcs.	pc.
ZIN25-7015	Galvanized steel inspection hatch	300 x 300	20 pcs.	220 pcs.	pc.
ZIN25-7016	Galvanized steel inspection hatch	500 x 250	12 pcs.	120 pcs.	pc.
ZIN25-7017	Galvanized steel inspection hatch	500 x 300	13 pcs.	104 pcs.	pc.

DESCRIPTION

Designed to cover gas meters.
Frame flush for the wall, lock and key are included.
Packed in box.

MATERIAL

Made of galvanized sheet metal, it is particularly resistant to ageing caused by exposure to the atmospheric elements.

USE

It is used to cover and protect electric counters recessed in the wall, allowing the meter reading.



STAINLESS STEEL GAS HATCH

Code	Product	mm	Pkg.	Pallet	UM
ZIN23-7009I	Stainless steel gas hatch	300 x 450	12 pcs.	216 pcs.	pc.
ZIN23-7009BI	Stainless steel gas hatch	350 x 450	12 pcs.	180 pcs.	pc.
ZIN23-7008I	Stainless steel gas hatch	300 x 500	12 pcs.	216 pcs.	pc.
ZIN23-7008BI	Stainless steel gas hatch	400 x 500	12 pcs.	144 pcs.	pc.
ZIN23-7000I	Stainless steel gas hatch	400 x 600	12 pcs.	120 pcs.	pc.
ZIN23-7002I	Stainless steel gas hatch	500 x 600	12 pcs.	96 pcs.	pc.
ZIN23-7001I	Stainless steel gas hatch	400 x 700	12 pcs.	120 pcs.	pc.

DESCRIPTION

Designed to cover water meters.
Frame flush for the wall, lock and key are included.
Packed in box.

MATERIAL

Made of stainless sheet metal, it is particularly resistant to ageing caused by exposure to the atmospheric elements.

USE

It is used to cover and protect electric counters recessed in the wall, allowing the meter reading.



STAINLESS STEEL WATER HATCH

Code	Product	mm	Pkg.	Pallet	UM
ZIN24-7017BI	Stainless steel water hatch	400 x 300	12 pcs.	216 pcs.	pc.
ZIN24-7018I	Stainless steel water hatch	500 x 400	12 pcs.	144 pcs.	pc.
ZIN24-7019I	Stainless steel water hatch	600 x 500	12 pcs.	96 pcs.	pc.

DESCRIPTION

Designed to cover water meters.
Frame flush for the wall, lock and key are included.
Packed in box.

MATERIAL

Made of stainless sheet metal, it is particularly resistant to ageing caused by exposure to the atmospheric elements.

USE

It is used to cover and protect electric counters recessed in the wall, allowing the meter reading.



ELECTRICITY INSPECTION BOX

Code	Product	mm	Pkg.	Pallet	UM
TER31-7096	Electricity inspection box 1 P	232 x 420 x 210	1 pc.	30 pcs.	pc.
TER31-7097	Electricity inspection box 2 P	390 x 420 x 230	1 pc.	14 pcs.	pc.
TER31-7095	Electricity inspection box 4 P	685 x 640 x 235	1 pc.	8 pcs.	pc.
TER31-7098	Support pole	1.420 x ø 120	1 pc.	-	pc.
TER31-7099	Pole bracket	-	1 pc.	-	pc.

DESCRIPTION

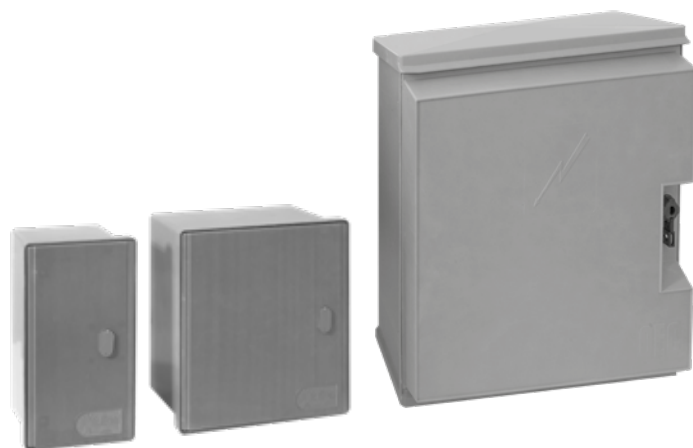
It is designed to fit electricity meters, equipped with anti-condensation protection IP, double bit lock and supplied with a key internal set up for connection of the counters, according to energy norms.
Packed in box.

MATERIAL

Made of polyester resin, it is particularly resistant to shock and ageing caused by exposure to the atmospheric elements.

USE

It is used to accommodate individual or double electricity meters, to protect them from tampering and/or vandalism and to allow the periodic reading and maintenance.



BOX FOR GAS METER - GALVANIZED & STAINLESS STEEL

Code	Product	mm	Pkg.	Pallet	UM
ZIN21-7006	Box for Gas Meter - Galvanized Steel	300 x 450 x 250	3 pcs.	24 pcs.	pc.
ZIN21-7006B	Box for Gas Meter - Galvanized Steel	350 x 450 x 250	3 pcs.	36 pcs.	pc.
ZIN21-7007	Box for Gas Meter - Galvanized Steel	300 x 500 x 250	3 pcs.	24 pcs.	pc.
ZIN21-7007B	Box for Gas Meter - Galvanized Steel	400 x 500 x 250	3 pcs.	24 pcs.	pc.
ZIN21-7003	Box for Gas Meter - Galvanized Steel	400 x 600 x 250	3 pcs.	12 pcs.	pc.
ZIN21-7005	Box for Gas Meter - Galvanized Steel	500 x 600 x 250	3 pcs.	9 pcs.	pc.
ZIN21-7004	Box for Gas Meter - Galvanized Steel	400 x 700 x 250	3 pcs.	9 pcs.	pc.
ZIN21-7006I	Box for Gas Meter - Stainless Steel	300 x 450 x 250	3 pcs.	24 pcs.	pc.
ZIN21-7006BI	Box for Gas Meter - Stainless Steel	350 x 450 x 250	3 pcs.	36 pcs.	pc.
ZIN21-7007I	Box for Gas Meter - Stainless Steel	300 x 500 x 250	3 pcs.	24 pcs.	pc.
ZIN21-7007BI	Box for Gas Meter - Stainless Steel	400 x 500 x 250	3 pcs.	24 pcs.	pc.
ZIN21-7003I	Box for Gas Meter - Stainless Steel	400 x 600 x 250	3 pcs.	12 pcs.	pc.
ZIN21-7005I	Box for Gas Meter - Stainless Steel	500 x 600 x 250	3 pcs.	9 pcs.	pc.
ZIN21-7004I	Box for Gas Meter - Stainless Steel	400 x 700 x 250	3 pcs.	9 pcs.	pc.

DESCRIPTION

Designed to accommodate gas counters with ventilation slots, this box is equipped with simple lock and key.
Item not provided with back hatch.
Packed in carton box.

MATERIAL

Made of galvanized or stainless steel, it is particularly resistant to shocks and ageing caused by exposure to the atmospheric elements.

USE

It is used to contain gas meters, to protect them from tampering and/or vandalism and to allow the meter reading and maintenance.



BACK HATCH FOR GAS METER BOX - GALVANIZED & STAINLESS STEEL

Code	Product	mm	Pkg.	Pallet	UM
ZIN22-7023	Back hatch for gas meter box - Galvanized Steel	300 x 450	1 pc.	-	pc.
ZIN22-7023B	Back hatch for gas meter box - Galvanized Steel	350 x 450	1 pc.	-	pc.
ZIN22-7024	Back hatch for gas meter box - Galvanized Steel	300 x 500	1 pc.	-	pc.
ZIN22-7025	Back hatch for gas meter box - Galvanized Steel	400 x 500	1 pc.	-	pc.
ZIN22-7026	Back hatch for gas meter box - Galvanized Steel	400 x 600	1 pc.	-	pc.
ZIN22-7028	Back hatch for gas meter box - Galvanized Steel	500 x 600	1 pc.	-	pc.
ZIN22-7027	Back hatch for gas meter box - Galvanized Steel	400 x 700	1 pc.	-	pc.
ZIN22-7023I	Back hatch for gas meter box - Stainless Steel	300 x 450	1 pc.	-	pc.
ZIN22-7023BI	Back hatch for gas meter box - Stainless Steel	350 x 450	1 pc.	-	pc.
ZIN22-7024I	Back hatch for gas meter box - Stainless Steel	300 x 500	1 pc.	-	pc.
ZIN22-7025I	Back hatch for gas meter box - Stainless Steel	400 x 500	1 pc.	-	pc.
ZIN22-7026I	Back hatch for gas meter box - Stainless Steel	400 x 600	1 pc.	-	pc.
ZIN22-7028I	Back hatch for gas meter box - Stainless Steel	500 x 600	1 pc.	-	pc.
ZIN22-7027I	Back hatch for gas meter box - Stainless Steel	400 x 700	1 pc.	-	pc.

DESCRIPTION

Designed with shaped edges for an easy assembling with galvanized or stainless steel gas meter box.
Not packed.

MATERIAL

Made of galvanized or stainless steel, it is particularly resistant to shocks and ageing caused by exposure to the atmospheric elements.

USE

It is used as complementary element of gas meter boxes, in case of positioning on poles, nets or fences.



CHAMFERS FOR PILLARS

Code	Product	mm	Pkg.	Pallet	UM
PRO02-1600	Chamfers for pillars	22 x 10 x 2.000	100 m	150 boxes	box
PRO02-1601	Chamfers for pillars	32 x 15 x 2.000	100 m	100 boxes	box
PRO02-1602	Chamfers for pillars	27 x 14 x 2.000	100 m	100 boxes	box

DESCRIPTION

2 meters long bar.

MATERIAL

Made of thermoset plastic.

USE

Specific use in construction.



CHAMFERS FINNED FOR PILLARS

Code	Product	mm	Pkg.	Pallet	UM
PRO02-1603	Chamfers finned for pillars	22 x 10 x 2.000	100 m	200 boxes	box
PRO02-1603A	Chamfers finned for pillars	32 x 15 x 2.000	100 m	100 boxes	box

DESCRIPTION

2 meters long bar.

MATERIAL

Made of thermoset plastic.

USE

Specific use in construction.



BALCONY DRIP PROTECTION

Code	Product	mm	Pkg.	Pallet	UM
PRO02-1604	Balcony drip protection	20 x 12 x 2.000	100 m	200 boxes	box
PRO02-1605	Balcony drip protection	30 x 15 x 2.000	100 m	100 boxes	box

DESCRIPTION

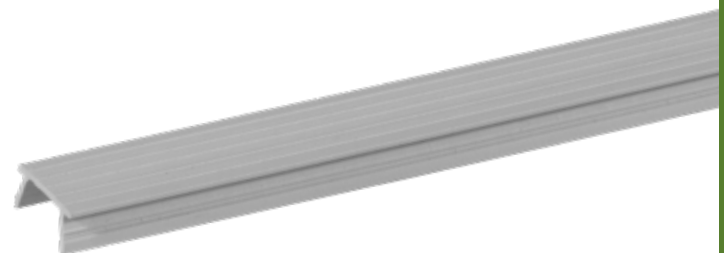
2 meters long bar.

MATERIAL

Made of thermoset plastic.

USE

Specific use in construction.



TOWER SHAPED SPACER FOR FORMWORK

Code	Product	mm	ø rebar	Pkg.	Pallet	UM
PRO12-1663	Tower shaped spacer for formwork	h. 10	4 / 12	2.000 pcs.	30.000 pcs.	pc.
PRO12-1664	Tower shaped spacer for formwork	h. 15	4 / 12	1.800 pcs.	27.000 pcs.	pc.
PRO12-1665	Tower shaped spacer for formwork	h. 20	4 / 12	1.500 pcs.	22.500 pcs.	pc.
PRO12-1666	Tower shaped spacer for formwork	h. 25	4 / 12	1.500 pcs.	22.500 pcs.	pc.
PRO12-1667	Tower shaped spacer for formwork	h. 30	4 / 12	1.000 pcs.	15.000 pcs.	pc.
PRO12-1668	Tower shaped spacer for formwork	h. 40	6 / 14	500 pcs.	22.500 pcs.	pc.

DESCRIPTION

The tower-shaped design allows the laying of the reinforcement cages.
Packed in box.

MATERIAL

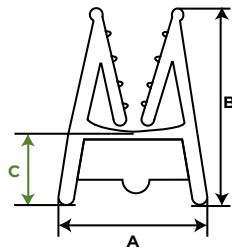
Made of thermoset plastic.

USE

Specific use in construction.

It allows the installation of rebar, maintaining the correct distance for the "concrete cover".

Code	a	b	c	mm
PRO12-1663	20	30	10	mm
PRO12-1664	20	40	15	mm
PRO12-1665	24	45	20	mm
PRO12-1666	25	49	25	mm
PRO12-1667	33	52	30	mm
PRO12-1668	42	60	40	mm



ROUND SPACER FOR FORMWORK

Code	Product	mm	ø rebar	Pkg.	Pallet	UM
PRO12-1658	Round spacer for formwork	h. 10	4 / 8	2.000 pcs.	100.000 pcs.	pc.
PRO12-1658B	Round spacer for formwork	h. 15	4 / 8	1.000 pcs.	50.000 pcs.	pc.
PRO12-1659	Round spacer for formwork	h. 20	4 / 8	1.000 pcs.	30.000 pcs.	pc.
PRO12-1659B	Round spacer for formwork	h. 25	4 / 12	1.000 pcs.	20.000 pcs.	pc.
PRO12-1657	Round spacer for formwork	h. 30	4 / 12	1.000 pcs.	20.000 pcs.	pc.
PRO12-1657B	Round spacer for formwork	h. 40	6 / 14	500 pcs.	22.500 pcs.	pc.

DESCRIPTION

Its round shape allows the installation of reinforcement cages.
Packed in box.

MATERIAL

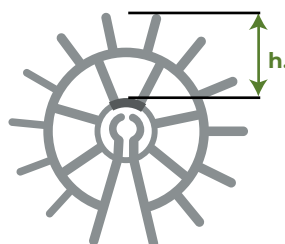
Made of thermoset plastic.

USE

Specific use in construction.

It allows the installation of rebar, maintaining the correct distance for the "concrete cover".

Code	h.	mm
PRO12-1658	10	mm
PRO12-1658B	15	mm
PRO12-1659	20	mm
PRO12-1659B	25	mm
PRO12-1657	30	mm
PRO12-1657B	40	mm



DISTANCE SPACER TUBE

Code	Product	mm	Pkg.	Pallet	UM
PRO23-1664C	Distance spacer tube	ø 20 x 150	100 pcs.	2.000 pcs.	pc.
PRO23-1665C	Distance spacer tube	ø 20 x 200	100 pcs.	2.000 pcs.	pc.
PRO23-1666C	Distance spacer tube	ø 20 x 250	100 pcs.	1.500 pcs.	pc.
PRO23-1667C	Distance spacer tube	ø 20 x 300	100 pcs.	1.500 pcs.	pc.
PRO23-1668C	Distance spacer tube	ø 20 x 350	100 pcs.	1.500 pcs.	pc.
PRO23-1669C	Distance spacer tube	ø 20 x 400	100 pcs.	1.500 pcs.	pc.
PRO23-1670C	Distance spacer tube	ø 20 x 450	100 pcs.	1.500 pcs.	pc.
PRO23-1671C	Distance spacer tube	ø 20 x 500	100 pcs.	1.500 pcs.	pc.

DESCRIPTION

Designed with a round shape, it allows the installation in the formwork.
Packed in box.

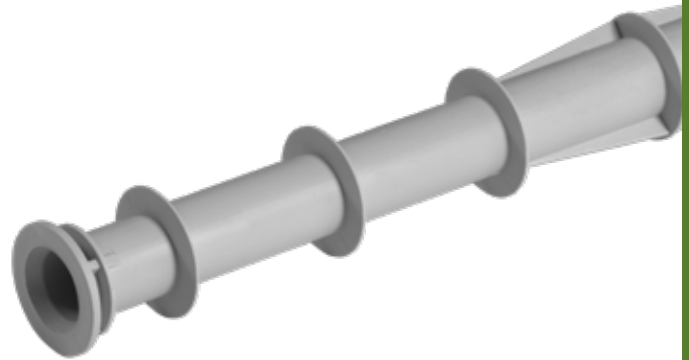
MATERIAL

Made of thermoset plastic.

USE

Specific use in construction.

It keeps the formwork at same distance (in horizontal way) during casting.



BRIDGE SHAPED SPACER FOR FORMWORK

Code	Product	mm	Pkg.	Pallet	UM
PRO12-1215N	Bridge shaped spacer for formwork	h 15 l=2.000	100 m	42 boxes	box
PRO12-1220N	Bridge shaped spacer for formwork	h 20 l=2.000	100 m	63 boxes	box
PRO12-1225N	Bridge shaped spacer for formwork	h 25 l=2.000	100 m	49 boxes	box
PRO12-1230N	Bridge shaped spacer for formwork	h 30 l=2.000	100 m	42 boxes	box
PRO12-1235N	Bridge shaped spacer for formwork	h 35 l=2.000	60 m	60 boxes	box
PRO12-1240N	Bridge shaped spacer for formwork	h 40 l=2.000	60 m	40 boxes	box
PRO12-1250NN	Bridge shaped spacer for formwork	h 50 l=2.000	60 m	28 boxes	box

DESCRIPTION

Its shape allows installation in bridge formwork.

MATERIAL

Made of thermoset plastic.

USE

Specific use in construction.

It keeps the formwork at same distance (in vertical way) during the pour of concrete.



RIGID TUBE FOR PANELS

Code	Product	mm	Pkg.	Pallet	UM
PRO17-1625	Rigid tube for panels	ø 20 x 2.000	50 m	100 boxes	box
PRO17-1626	Rigid tube for panels	ø 22 x 2.000	50 m	100 boxes	box

DESCRIPTION

2 meters long bar.

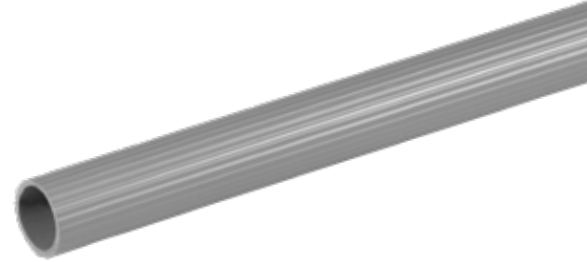
MATERIAL

Made of thermoset plastic.

USE

Specific use in construction.

It keeps the formwork at same distance (in horizontal way) during the pour of concrete.



CAP AND WASHER (RIGID TUBE)

Code	Product	mm	Pkg.	Pallet	UM
PRO11-1653	Cap for rigid tube for panels	ø 20	1.000 pcs.	-	pc.
PRO11-1654	Cap for rigid tube for panels	ø 22	1.000 pcs.	-	pc.
PRO11-1655	Washer for rigid tube for panels	ø 20	500 pcs.	21.500 pcs.	pc.
PRO11-1656	Washer for rigid tube for panels	ø 22	1.000 pcs.	49.000 pcs.	pc.

DESCRIPTION

Supplied in plastic bags (plugs and washers).

MATERIAL

Made of thermoset plastic.

USE

Specific use in the construction industry, to close pipe lines.



ROUND AND FLAT SPACER TUBE

Code	Product	mm	Pkg.	Pallet	UM
PRO17-1623	Round and flat spacer tube	ø 9 x 2.000	100 m	150 boxes	box
PRO17-1624	Round and flat spacer tube	ø 12 x 2.000	100 m	100 boxes	box
PRO17-1633	Flat spacer tube	30 x 20 x 2.000	100 m	100 boxes	box
PRO11-1651	End cap for round spacer tube	ø 9	1.000 pcs.	-	pc.
PRO11-1652	End cap for round spacer tube	ø 12	1.000 pcs.	-	pc.
PRO11-1656C	End cap for flat spacer tube	30 x 20	1.000 pcs.	-	pc.

DESCRIPTION

2 meters long bars, ø 9/12 mm finned.

2 meters long bars, ø 30 mm dish.

Supplied in plastic bags (finned), ø 9 mm and 12 mm.

Supplied in plastic bags (oval), ø 30 mm.

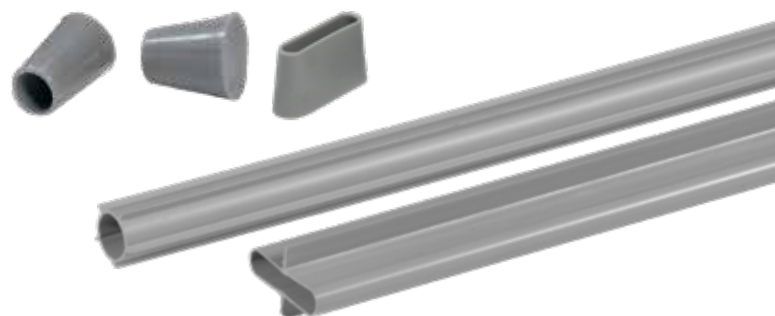
MATERIAL

Made of thermoset plastic.

USE

Specific use in construction.

It keeps the formwork horizontally at same distance during the pour of concrete.



DRAINING WATER OUTLET WITH PERFORATED FLANGE

Code	Product	mm	Pkg.	Pallet	UM
BOC01-1109F	Draining water outlet with perforate flange	ø 63	25 pcs.	150 pcs.	pc.
BOC01-1109SF	Draining water outlet with perforate flange	ø 75	25 pcs.	150 pcs.	pc.
BOC01-1110F	Draining water outlet with perforate flange	ø 80	25 pcs.	150 pcs.	pc.
BOC01-1110SF	Draining water outlet with perforate flange	ø 90	25 pcs.	150 pcs.	pc.
BOC01-1111F	Draining water outlet with perforate flange	ø 100	20 pcs.	120 pcs.	pc.
BOC01-1111SF	Draining water outlet with perforate flange	ø 110	20 pcs.	120 pcs.	pc.
BOC01-1112F	Draining water outlet with perforate flange	ø 120	20 pcs.	120 pcs.	pc.

DESCRIPTION

This draining water outlet consists in a perforated flange to improve the connection to the waterproofing membrane.

Tube has a length of 240 mm and diameters from 63 to 120 mm.

MATERIAL

Made of TPE (thermoplastic elastomer).

USE

Used for vertical evacuation of rainwater in flat roofs.



DRAINING WATER OUTLET

Code	Product	mm	Pkg.	Pallet	UM
BOC01-1109	Draining water outlet	ø 63	25 pcs.	150 pcs.	pc.
BOC01-1109S	Draining water outlet	ø 75	25 pcs.	150 pcs.	pc.
BOC01-1110	Draining water outlet	ø 80	25 pcs.	150 pcs.	pc.
BOC01-1110S	Draining water outlet	ø 90	25 pcs.	150 pcs.	pc.
BOC01-1111	Draining water outlet	ø 100	20 pcs.	120 pcs.	pc.
BOC01-1111S	Draining water outlet	ø 110	20 pcs.	120 pcs.	pc.
BOC01-1112	Draining water outlet	ø 120	20 pcs.	120 pcs.	pc.

DESCRIPTION

This draining water outlet consists in a flange, tube has a length of 240 mm and different diameters (see table).

MATERIAL

Made of TPE (thermoplastic elastomer).

USE

Used for vertical evacuation of rainwater in flat roofs.



PVC DRAINING WATER OUTLET

Code	Product	mm	Pkg.	Pallet	UM
BOC05-1110P	PVC draining water outlet	ø 80	25 pcs.	300 pcs.	pc.
BOC05-1111P	PVC draining water outlet	ø 100	25 pcs.	300 pcs.	pc.
BOC05-1111SP	PVC draining water outlet	ø 110	25 pcs.	350 pcs.	pc.
BOC05-1112P	PVC draining water outlet	ø 125	18 pcs.	216 pcs.	pc.

DESCRIPTION

This draining water consists in a flange and a tube to 240 mm length and variable diameter 80, 100, 110 and 125 mm.

MATERIAL

Made of PVC (RAL 9002).

USE

Used for vertical evacuation of rainwater in flat roofs.



LEAF-GRATE

Code	Product	mm	Pkg.	Pallet	UM
BOC10-1113	Plastic leaf-grate	from 80 to 125	100 pcs.	1.600 pcs.	pc.
BOC11-1114	Galvanized steel leaf-grate	from 80 to 125	20 pcs.	1.440 pcs.	pc.

DESCRIPTION

Leaf-grate "universal" of variable diameter

MATERIAL

Made of PP (polypropylene) or galvanized steel.

USE

Used to cover roof/terrace draining outlet or downpipes to avoid obstruction caused by leaves, debris or other small objects.



DRAINING WATER OUTLET "SHORT"

Code	Product	Dimensions outlet mm	Pkg.	Pallet	UM
BOC02-1118	Draining water outlet "Short"	48 x 56	20 pcs.	240 pcs.	pc.

DESCRIPTION

This draining outlet consists of a flange corner and a tube of square shape 48 x 56 mm and long 345 mm.

MATERIAL

Made of TPE (thermoplastic elastomer).

USE

Used for the complete evacuation of rainwater in roof.



ROUND DRAINING WATER OUTLET

Code	Product	Dimensions outlet mm	Pkg.	Pallet	UM
BOC02-1115T8	Round draining water outlet	ø 80	20 pcs.	200 pcs.	pc.
BOC02-1115T10	Round draining water outlet	ø 100	16 pcs.	160 pcs.	pc.

DESCRIPTION

This draining outlet consists in a corner flange and a circular tube long 500 mm.

MATERIAL

Made of TPE (thermoplastic elastomer).

USE

Used for the complete evacuation of rainwater in roof.



SQUARE DRAINING WATER OUTLET

Code	Product	Dimensions outlet mm	Pkg.	Pallet	UM
BOC02-1115	Draining water outlet	100 x 100	12 pcs.	120 pcs.	pc.
BOC02-1116RA	Corner connection 100 x 100	ø 80	10 pcs.	800 pcs.	pc.
BOC02-1117	Corner connection 100 x 100	ø 100	10 pcs.	800 pcs.	pc.

DESCRIPTION

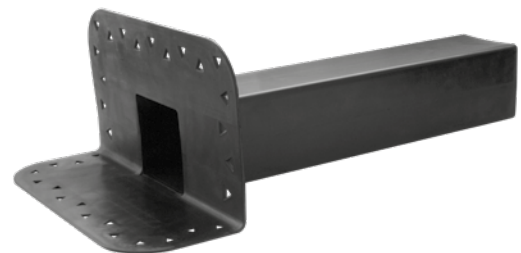
This draining outlet consists in a flange corner and a square tube of 100 x 100 mm and long 500 mm.

MATERIAL

Made of TPE (thermoplastic elastomer).

USE

Used for the complete evacuation of rainwater in roof.



OPEN PLASTIC COMPOSITE TOP DRAINER

Code	Product	mm	Pkg.	Pallet	UM
TER03-8080B	White open marble plastic top drainer	270 x 80	30 pcs.	360 pcs.	pc.
TER03-8080G	Grey open marble plastic top drainer	270 x 80	30 pcs.	360 pcs.	pc.
TER03-8080R	Red open marble plastic top drainer	270 x 80	30 pcs.	360 pcs.	pc.

DESCRIPTION

Drip open for balconies or for overhanging elements, available in white, grey or red colours.

Product features:

- impermeability to liquids and moisture;
- frost resistance;
- excellent resistance to weathering;
- easy to install.

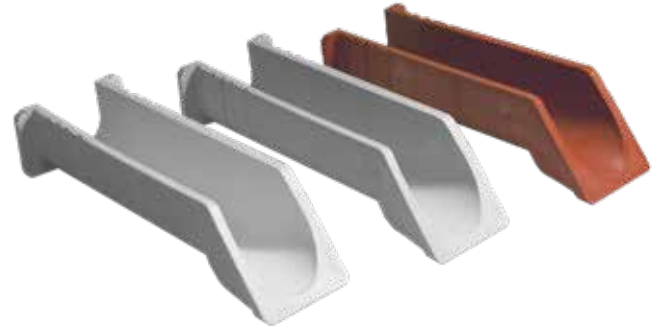
The drip is 27 cm long and its particular shape allows, with a simple cut, to reduce the length to 23 cm.

MATERIAL

Made of plastic composite.

USE

Used for drainage in balconies, flat roofs, projecting roofs and architectural elements.



CLOSED PLASTIC COMPOSITE TOP DRAINER

Code	Product	mm	Pkg.	Pallet	UM
TER03-8082B	White closed marble plastic drainer	270 x 80	25 pcs.	750 pcs.	pc.
TER03-8082G	Grey closed marble plastic drainer	270 x 80	25 pcs.	750 pcs.	pc.
TER03-8082R	Red closed marble plastic drainer	270 x 80	25 pcs.	750 pcs.	pc.

DESCRIPTION

Drip closed for balconies, available in white, grey or red colours.

Product features:

- impermeability to liquids and moisture;
- frost resistance;
- excellent resistance to weathering;
- easy to install.

The drip is 27 cm long and its particular shape allows, with a simple cut, to reduce the length to 23 cm.

MATERIAL

Made of plastic composite.

USE

Used for drainage in balconies, flat roofs, projecting roofs and architectural elements.



OPEN MARBLE COMPOSITE TOP DRAINER

Code	Product	mm	Pkg.	Pallet	UM
COP01-8031B	White open marble ceramic top drainer	200 x 60	72 pcs.	864 pcs.	pc.
COP01-8031G	Grey open marble ceramic top drainer	200 x 60	72 pcs.	864 pcs.	pc.
COP01-8031R	Red open marble ceramic top drainer	200 x 60	72 pcs.	864 pcs.	pc.
COP01-8032B	White open marble ceramic top drainer	230 x 80	48 pcs.	576 pcs.	pc.
COP01-8032G	Grey open marble ceramic top drainer	230 x 80	48 pcs.	576 pcs.	pc.
COP01-8032R	Red open marble ceramic top drainer	230 x 80	48 pcs.	576 pcs.	pc.
COP01-8033B	White open marble ceramic top drainer	270 x 80	30 pcs.	360 pcs.	pc.
COP01-8033G	Grey open marble ceramic top drainer	270 x 80	30 pcs.	360 pcs.	pc.
COP01-8033R	Red open marble ceramic top drainer	270 x 80	30 pcs.	360 pcs.	pc.

DESCRIPTION

Drip open for balconies, available in white, grey or red colours.

Product features:

- impermeability to liquids and moisture;
- frost resistance;
- excellent resistance to weathering;
- easy to install.

MATERIAL

Made of marble composite.

USE

Used for drainage in balconies, flat roofs, projecting roofs and architectural elements.



CLOSED MARBLE COMPOSITE TOP DRAINER

Code	Product	mm	Pkg.	Pallet	UM
COP01-8041B	White closed marble ceramic top drainer	230 x 80	36 pcs.	432 pcs.	pc.
COP01-8041G	Grey closed marble ceramic top drainer	230 x 80	36 pcs.	432 pcs.	pc.
COP01-8041R	Red closed marble ceramic top drainer	230 x 80	36 pcs.	432 pcs.	pc.
COP01-8042B	White closed marble ceramic top drainer	270 x 80	21 pcs.	252 pcs.	pc.
COP01-8042G	Grey closed marble ceramic top drainer	270 x 80	21 pcs.	252 pcs.	pc.
COP01-8042R	Red closed marble ceramic top drainer	270 x 80	21 pcs.	252 pcs.	pc.

DESCRIPTION

Drip closed for balconies, available in white, grey or red colours.

Product features:

- impermeability to liquids and moisture;
- frost resistance;
- excellent resistance to weathering;
- easy to install.

MATERIAL

Made of marble composite.

USE

Used for drainage in balconies, flat roofs, projecting roofs and architectural elements.



The **Indoor** section contains a wide and complete range of solutions for the home interior: door frames, tile leveler systems, spacers for tiles, glass blocks, luxury vinyl tiles and accessories for floorings and balconies.
